

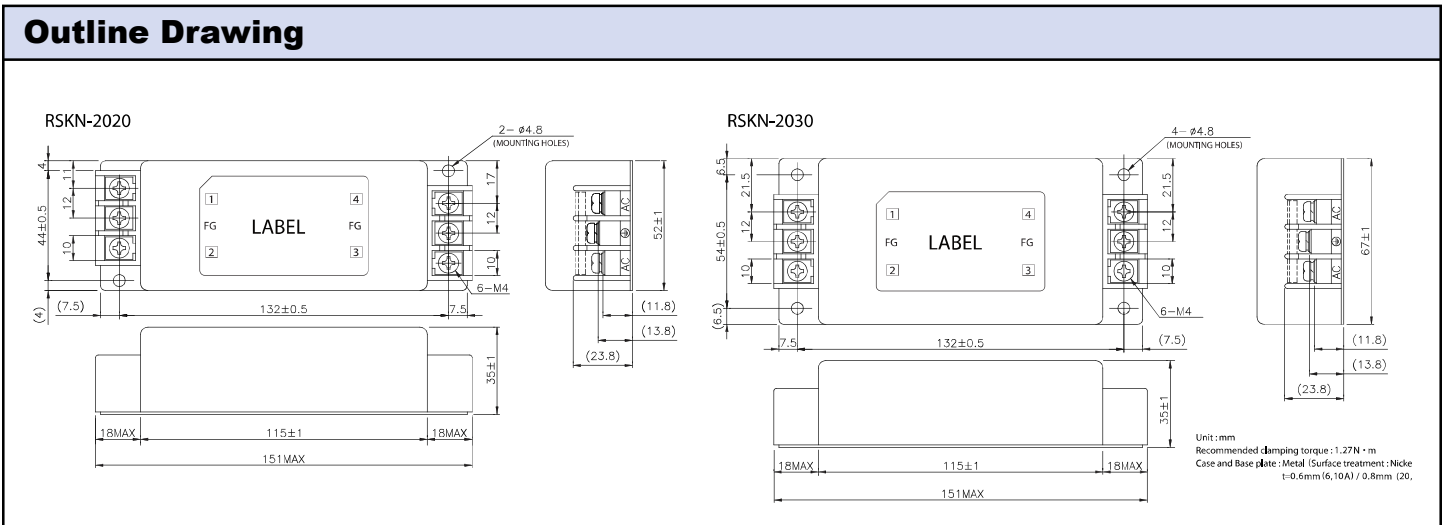
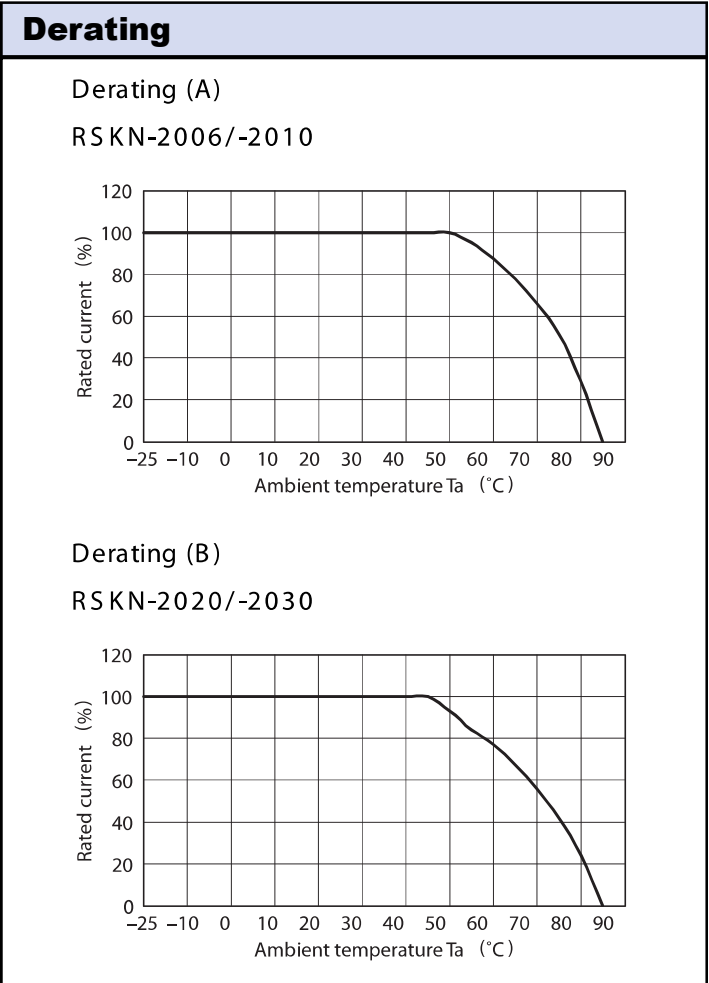
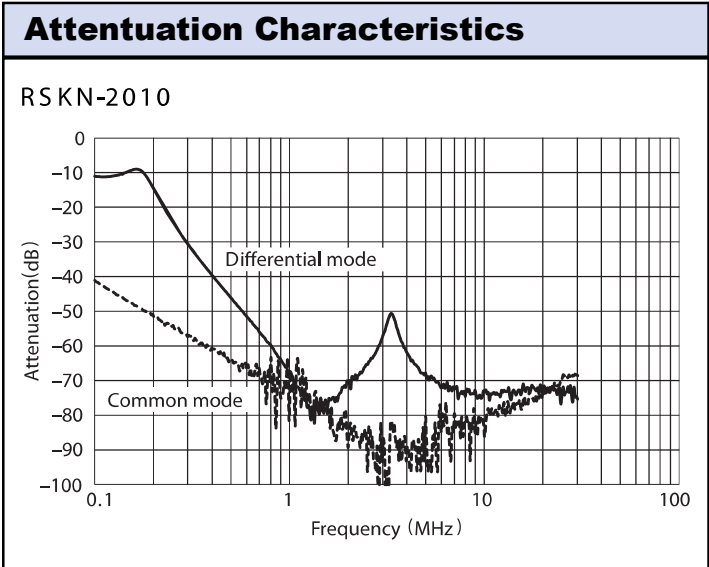
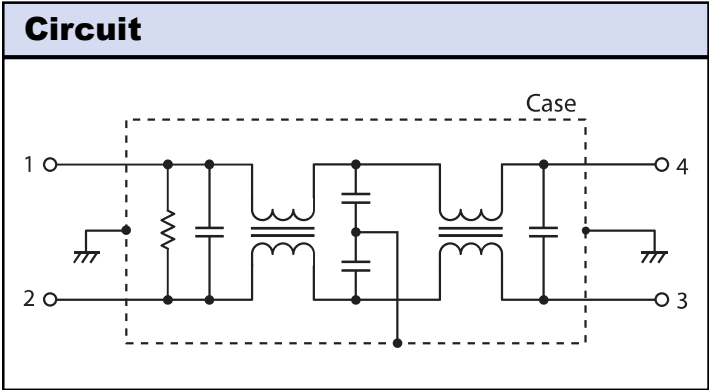
## 6A to 30A, 250VAC EMC Filters

### Features

- ◆ Wide Band, High Attenuation
- ◆ High Voltage Pulse Attenuation
- ◆ Integral Terminal Cover
- ◆ Conforms to UL, CSA and EN Safety Agency Certifications



Specifications		RSKN-2006	RSKN-2010	RSKN-2020	RSKN-2030
Rated Voltage (AC, DC)	V	250V			
Rated Current	A	6A	10A	20A	30A
Withstand Voltage	V	Terminals to Case: 2500VAC (1 Minute)			
Isolation Resistance	MΩ	100MΩ minimum (500VDC, 1 Minute)			
Leakage Current (max)	A	1mA (250VAC, 60Hz)			
DC Resistance (total)	mΩ	300	100	20	10
Operating Temperature	°C	-25 to +85°C (See derating curves)			
Storage Temperature	°C	-25 to +85°C			
Safety Agency Certifications	-	UL1283, CSA C22.2 No.8, EN60939			
Weight	g	220g	310g	530g	660g
Size (W x L x H)	mm	47 x 107 x 26	47 x 117 x 30	52 x 151 x 35	67 x 151 x 35
Warranty	yr	5 Year			



For Additional Information, please visit  
[us.tdk-lambda.com/lp/products/r-series.htm](http://us.tdk-lambda.com/lp/products/r-series.htm)

