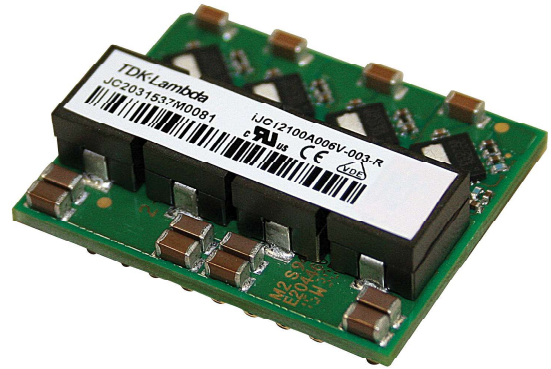


150W, 100A Non-isolated SMT Point of Load with PMBus™

Features

- ◆ Only 1.5 in² Board Space
- ◆ PMBus Compliant (Read & Write)
- ◆ Surface Mountable
- ◆ Digital Adaptive Control
- ◆ Parallel Operation with Current Sharing
- ◆ Configurable Sequence & Fault Management



Key Market Segments & Applications

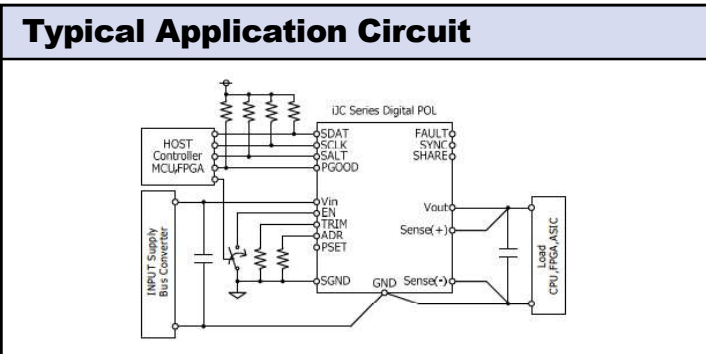
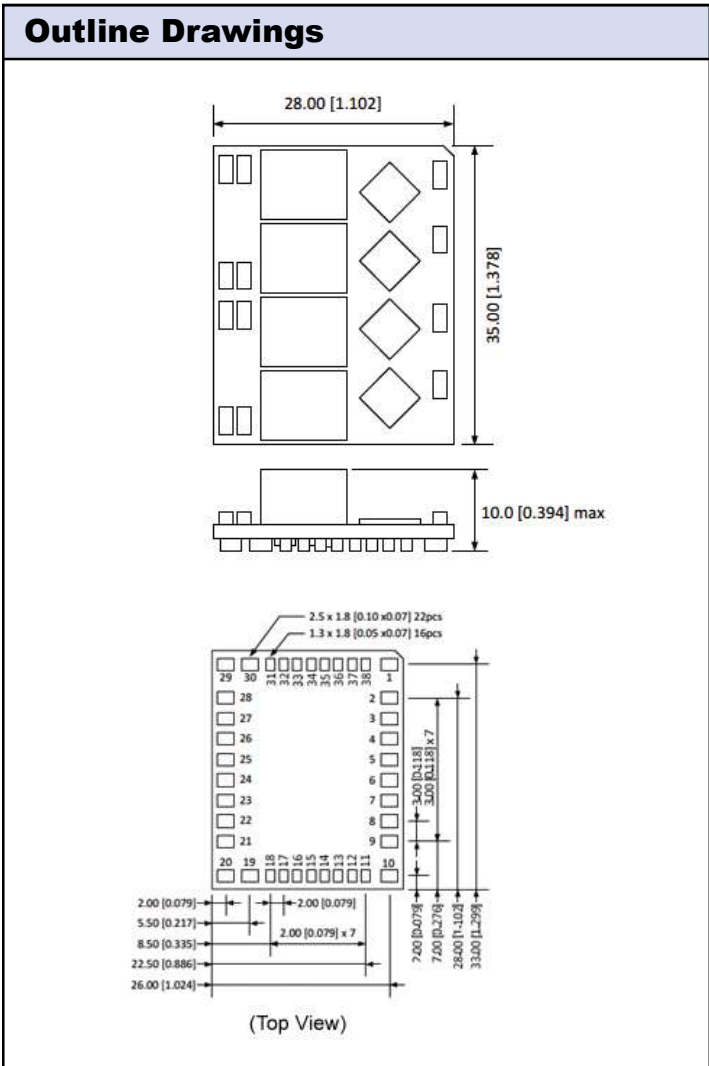


Specifications		
Model		iJC
DC Output Voltage	V	0.6 - 1.5V
DC Output Power (max)	W	150W
DC Input Voltage	V	8 - 14V
Efficiency	%	86.5 - 91.5%
Output Voltage Tolerance	%	±1.5%
Line Regulation	mV	8 (Typical)
Load Regulation	mV	8 (Typical)
External Load Capacitance	uF	1000 - 5000
Output Ripple and Noise	mVpp	15
Overcurrent Protection	A	>105A
Remote On / Off	-	Negative Logic or Positive Logic (See model selector)
Remote Sense	-	Yes
Operating Temperature	°C	-40 to 120 (see thermal data on website)
Storage Temperature	°C	-55 to 125
Safety Agency Certifications	-	IEC/EN/UL/CSA 60950-1, CE Mark
Weight	g / oz	20g / 0.7 oz
Size (LxWxH)	mm / in.	28.0 x 35.0 x 10.0mm / 1.10 x 1.37 x 0.39"
Warranty	yrs	3 years

Model Selector				
Model	Input Voltage (V)	Output Current (A)	Output Voltage (V)	Remote On/Off
iJC12100A006V-002-R	8 - 14	100	0.6 - 1.5	Positive
iJC12100A006V-003-R	8 - 14	100	0.6 - 1.5	Negative

Preferred

Pinout							
PIN	Function	PIN	Function	PIN	Function	PIN	Function
1	Power Ground (0V)	11	Signal Ground (0V)	21	+V Output	31	PMBus Clock
2	Power Ground (0V)	12	Not Connected	22	+V Output	32	PMBus Data
3	+V Input	13	Output Trim	23	+V Output	33	PMBus Alert / Fault
4	+V Input	14	PMBus Address	24	Power Ground (0V)	34	Remote On/Off
5	Power Ground (0V)	15	Not Connected	25	Power Ground (0V)	35	Fault Mgmt
6	Power Ground (0V)	16	Set Parallel Operation (PSET)	26	+V Output	36	Power Good
7	+V Input	17	+ Remote Sense	27	+V Output	37	Current Share
8	+V Input	18	- Remote Sense	28	+V Output	38	Synchronize
9	Power Ground (0V)	19	Power Ground (0V)	29	Power Ground (0V)		
10	Power Ground (0V)	20	Power Ground (0V)	30	Power Ground (0V)		



Evaluation Board

Evaluation kit part #	Contents
iJC100A-003-EVKIT-S1	Evaluation board with one piece of iJC12100A006V-003-R PMBus Dongle Board & USB cable CD ROM User manual available at iJx series technical file in our website

Other Industrial Products

CC-E	1.5 - 30W 5, 12, 24 or 48V input isolated DC-DC converters
PX	10 - 60W 12, 24 or 48V input isolated DC-DC converters
iJA, iJB, iJC	35 - 100A non isolated DC-DC converters with PMBus
iAF, iBF, iCF, iCG	3 - 20A DOSA2 non isolated DC-DC converters
iQE, iQL, iQG	96 - 400W Quarter bricks
iEH	300W Eighth brick

For Additional Information, please visit us.tdk-lambda.com/lp/products/ijb-series.htm

