

USER MANUAL FOR
GENESYS™ 10KW/15KW
Programmable DC Power Supplies
Document: 83530000 Rev L

TDK-Lambda Americas Inc.

High Power Division

405 Essex Road, Neptune, NJ 07753

Tel: (732) 922-9300

Fax: (732) 922-9334

www.us.TDK-Lambda.com/HP



TDK-Lambda Americas Inc
405 Essex Road
Neptune NJ 07753 USA
Tel: +1 732 922 9300
Fax: +1 732 922 9334
www.us.tdk-lambda.com/hp

DECLARATION OF CONFORMITY GEN 3U AND QS SERIES

We, TDK-Lambda Americas Inc., of 405 Essex Road, Neptune, NJ 07753, USA declare under our sole responsibility that the GEN3U and QS series as detailed on the attached products covered sheet comply with the provisions of the following European Directives and are eligible to bear the CE mark:

Low Voltage Directive 2006/95/EC
EMC Directive 2004/108/EC


Assurance of conformance of the described product with the provisions of the stated EC Directive is given through compliance to the following standards:

Electrical Safety IEC60950-1:2005, Second Edition
 EN60950-1:2006
 UL60950-1:2007, Second Edition

Electromagnetic Emissions: EN 61326:1997 + A1:1998 + A2:2001 + A3:2003 Annex E & F

These products are high-power equipment, with input power >1 kW, for professional use and installation, and carry the CE mark accordingly. These products are for use in Class A, ITE environment only, as defined by EN 61326: 1997+ A1:1998 + A2:2001 + A3:2003 Annex E & F.

Our European Representative in the EU is TDK-Lambda UK Limited, located at Kingsley Avenue, Ilfracombe, Devon, EX34 8ES UK. Further, all products covered by this declaration are manufactured in accordance with ISO9001:2000 which ensure continued compliance of the products with the requirements of the Low Voltage Directive.

Name of Authorized Signatory	Adam Rawicz-Szczerbo
Signature of Authorized Signatory	
Position of Authorized Signatory	Managing Director, TDK-Lambda EMEA
Date	1 st Oct 08
Place where signed	Ilfracombe, Devon, England

PRODUCTS COVERED SHEET FOR THE GEN3U AND QS SERIES

Product Name: GEN 3U Series Switch Mode DC Power Supply
QS Series Switch Mode DC Power Supply

Models: GEN AAA-BBB-KKK-Z
QS AAA-BBB-KKK-Z

A= Volts (7.5V to 600V)

B= Current (25A to 1000A depending on power not to exceed 15kW).

KKK = alphanumeric designation for options that do NOT affect EMC or Safety

Z= 3P208 for 208Vac 3 phase input or 3P400 for 400Vac 3 phase input.

Z may be followed by special numbers 1602, 1653, 1665, 1667, 1687, 1688, or 1690.

Genesys™ Manual Supplement

For units equipped with the “**IEMD**” option,
for IEEE-488 with Multi-drop,
also refer to IEMD manual 83030200

For units equipped with the “**LAN**” option
for Local Area Network with Multi-drop,
also refer to LAN manual 83034100

For units equipped with “**MD**” option,
Multi-drop, also refer to the respective
IEMD or LAN manuals.

Table of Contents

WARRANTY	3
SAFETY INSTRUCTIONS	4
1. GENERAL INFORMATION	21
1.1. User Manual Content.....	21
1.2. Introduction.....	21
1.3. Accessories.....	22
1.4. Model Number Format.....	23
2. SPECIFICATION	24
3. INSTALLATION	30
3.1. General.....	30
3.2. Preparation for Use.....	30
3.3. Initial Inspections.....	30
3.4. Rack Mounting.....	31
3.5. Location, Mounting and Cooling.....	31
3.6. AC Source Requirements.....	31
3.7. AC Input Power Connection.....	31
3.8. Turn-On Checkout Procedure.....	32
3.9. Connecting the Load.....	35
3.10. Local and Remote Sensing.....	39
3.11. Repackaging for Shipment.....	40
4. FRONT AND REAR PANEL CONTROLS AND CONNECTORS	41
4.1. Introduction.....	41
4.2. Front Panel Controls and Indicators.....	41
4.3. Rear Panel SW1 Setup Switch.....	46
4.4. Rear Panel J1 Programming and Monitoring Connector.....	47
5. LOCAL OPERATION	49
5.1. Introduction.....	49
5.2. Standard Operation.....	49
5.3. Over Voltage Protection (OVP).....	50
5.4. Under Voltage Limit (UVL).....	51
5.5. Foldback Protection.....	51
5.6. Output ON/OFF Control.....	52
5.7. Output SHUT-OFF (SO) Control via Rear Panel J1 Connector.....	52
5.8. Enable/Disable Control via Rear Panel J1 Connector.....	53
5.9. CV/CC Signal.....	53
5.10. PS_OK Signal.....	53
5.11. Safe Start and Auto-Restart Modes.....	54
5.12. Front Panel Locking.....	54
5.13. Over Temperature Protection (OTP).....	55
5.14. Last Setting Memory.....	55

6. SERIES AND PARALLEL SUPPLIES	56
6.1. Series Operation.....	56
6.2. Parallel Operation.....	59
6.3. Daisy-Chain for Shut-Off.....	62
6.4. Advanced Parallel Operation.....	62
7. REMOTE AND ANALOG PROGRAMMING	65
7.1. Introduction.....	65
7.2. Local/Remote Analog Indication.....	65
7.3. Local/Remote Analog Indication.....	65
7.4. Remote Voltage Programming of Output Voltage and Current Limit.....	66
7.5. Resistive Programming of Output Voltage and Current Limit.....	67
7.6. Remote Monitoring of Output Voltage and Current.....	68
8. RS232 & RS485 REMOTE CONTROL.....	69
8.1. Introduction.....	69
8.2. Configuration.....	69
8.3. Rear Panel RS232/485 Connector.....	70
8.4. Connecting Power Supplies to RS232 Bus.....	71
8.5. Communication Interface Protocol.....	72
8.6. Error Messages.....	73
8.7. Command Set Description.....	74
8.8. Global Output Commands.....	77
8.9. Fast Queries.....	79
8.10. Status and Error Commands.....	80
8.11. Status, Error, and SRQ Registers.....	81
8.12. Serial Communication Test Set-Up.....	84
9. ISOLATED ANALOG PROGRAMMING OPTION.....	86
9.1. Introduction.....	86
9.2. Specifications.....	86
9.3. Isolated Programming & Monitoring Connector.....	87
9.4. Setup and Operating Instructions.....	88
10. MAINTENANCE	89
10.1. Introduction.....	89
10.2. Units Under Warranty.....	89
10.3. Periodic Maintenance.....	89
10.4. Adjustments and Calibration.....	89
10.5. Parts Replacement and Repairs.....	89
10.6. Troubleshooting.....	89

WARRANTY

This TDK-Lambda Americas Inc. product is warranted against defects in materials and workmanship for a period of five years from date of shipment. During the warranty period, TDK-Lambda Americas Inc. will, at it's option, either repair or replace products which prove to be defective.

LIMITATION OF WARRANTY

The warranty shall not apply to defects resulting from improper or inadequate usage or maintenance by the buyer, buyer supplied products or interfacing. The warranty shall not apply to defects resulting from unauthorized modifications, or from operation exceeding the environmental specifications of the product, or if the QA seal has been removed or altered by anyone other than TDK-Lambda Americas Inc. authorized personnel. TDK-Lambda Americas Inc. does not warrant the buyer's circuitry or malfunctions of TDK-Lambda Americas Inc. products resulting from the buyer's circuitry. Furthermore, TDK-Lambda Americas Inc. does not warrant any damage occurring as a result of the buyer's circuitry or the buyer's - supplied products. THIS LIMITED WARRANTY IS IN LIEU OF, AND TDK-LAMBDA AMERICAS INC DISCLAIMS AND EXCLUDES, ALL OTHER WARRANTIES, STATUTORY, EXPRESS OR IMPLIED, INCLUDING, WITHOUT LIMITATION, ANY WARRANTY OF MERCHANTABILITY OR FITNESS FOR A PARTICULAR PURPOSE, OR OF CONFORMITY TO MODELS OR SAMPLES.

WARRANTY SERVICE

This product must be returned to an authorized TDK-Lambda Americas Inc. service facility for repairs or other warranty service. For products returned to TDK-Lambda Americas Inc. for warranty service, the buyer shall prepay shipping charges to TDK-Lambda Americas Inc. If the unit is covered under the foregoing warranty then TDK-Lambda Americas Inc. shall pay the shipping charges to return the product to the buyer. Refer to Section 3.11 for repackaging for shipment.

DISCLAIMER

The information contained in this document is subject to change without notice. TDK-Lambda Americas Inc. shall not be liable for errors contained in this document or for incidental or consequential damages in connection with the furnishing, performance or use of this material. No part of this document may be photocopied, reproduced or translated into another language without the prior written consent of TDK-Lambda Americas Inc.

TRADEMARK INFORMATION

Genesys™ power supply is a trademark of TDK-Lambda Americas Inc.
Microsoft™ and Windows™ are trademarks of Microsoft Corporation.

THE FCC WANTS YOU TO KNOW

This equipment has been tested and found to comply with the limits for a Class A digital device, pursuant to Part 15 of the FCC rules. These limits are designed to provide reasonable protection against harmful interference when the equipment is operated in a commercial environment.

This equipment generates, uses and can radiate radio frequency energy and, if not installed and used in accordance with the instructions, may cause harmful interference to radio communications.

Operation of this equipment in a residential area is likely to cause harmful interference, in which case the user will be required to correct the interference at his own expense.

FCC WARNING

Modifications not expressly approved by manufacturer could void the user authority to operate the equipment under FCC Rules.

ENGLISH

SAFETY INSTRUCTIONS

CAUTION

The following safety precaution must be observed during all phases of operation, service and repair of this equipment. Failure to comply with the safety precautions or warnings in this document violates safety standards of design, manufacture and intended use of this equipment and may impair the built-in protections within.

TDK-Lambda Americas Inc. shall not be liable for user's failure to comply with these requirements.


INSTALLATION CATEGORY

The Genesys™ power supply series has been evaluated to INSTALLATION CATEGORY II. Installation category (over voltage category) II: local level, appliances, portable equipment etc. With smaller transient over voltage than Installation Category (over voltage category) III.

GROUNDING

This product is a Safety Class 1 instrument. To minimize shock hazard, the instrument chassis must be connected to an electrical ground. The instrument must be connected to the AC power supply mains through a three conductor power cable, with the ground wire firmly connected to an electrical ground (safety ground) at the power outlet.

For instruments designed to be hard-wired to the supply mains, the protective earth terminal must be connected to the safety electrical ground before another connection is made. Any interruption of the protective ground conductor or disconnection of the protective earth terminal will cause a potential shock hazard that might cause personal injury.

WARNING	
OUTPUT TERMINALS GROUNDING	
	There is a potential shock hazard at the RS232/RS485/LAN and the IEEE ports when using power supplies with rated or combined voltage greater than 400V and the Positive Output of the Power Supply is grounded.
	Do Not connect the Positive Output to ground when using the RS232/RS485/LAN or IEEE.

FUSES

Fuses must be changed by authorized TDK-Lambda Americas Inc. service personnel only. For continued protection against risk of fire, replace only with the same type and rating of fuse.

INPUT RATINGS

Do not use AC supply, which exceeds the input voltage and frequency rating of this instrument. The input voltage and frequency rating of the Genesys™ power supply series has three input ranges depending on the model type ordered. Ranges are 180-253 Vac/360-440 Vac/432-528 Vac, 50-60Hz. For safety reasons, the mains supply voltage fluctuations should not exceed above voltage range.

LIVE CIRCUITS

Operating personnel must not remove the instrument cover. No internal adjustment or component replacement is allowed by non-TDK-Lambda Americas Inc. qualified personnel. Never replace components with power cable connected. To avoid injuries, always disconnect power, discharge circuits and remove external voltage source before touching components.

PARTS SUBSTITUTIONS & MODIFICATIONS

Parts substitutions and modifications are allowed by authorized TDK-Lambda Americas Inc. service personnel only. For repairs or modifications, the instrument must be returned to an authorized TDK-Lambda Americas Inc. service facility.

SAFETY INSTRUCTIONS

ENVIRONMENTAL CONDITIONS

The Genesys™ power supply series safety approval applies to the following operating conditions:











*Indoor use

*Ambient temperature: 0°C to 50°C

*Maximum relative humidity: 80% (no condensation)

*Altitude: up to 3000m

*Pollution degree 2

	ATTENTION Observe Precautions for handling Electrostatic Sensitive Devices.
	CAUTION Risk of Electrical Shock
	Instruction manual symbol. The instrument will be marked with this symbol when it is necessary for the user to refer to the instruction manual.
	Indicates hazardous voltage.
	Indicates ground terminal.
	Protective Ground Conductor Terminal must be connected to Earth Ground.
	Off (Supply)
	On (Supply)
	The WARNING sign denotes a hazard. An attention to a procedure is called. Not following procedure correctly could result in personal injury. A WARNING sign should not be skipped and all indicated conditions must be fully understood and met.
	The CAUTION sign denotes a hazard. An attention to a procedure is called. Not following procedure correctly could result in damage to the equipment. Do not proceed beyond a CAUTION sign until all indicated conditions are fully understood and met.

FCC COMPLIANCE NOTICE:

Note: This equipment has been tested and found to comply with the limits for a Class A digital device, pursuant to part 15 of the FCC Rules. These limits are designed to provide reasonable protection against harmful interference when the equipment is operated in a commercial environment. This equipment generates uses, and can radiate radio frequency energy and, if not installed and used in accordance with the instruction manual, may cause harmful interference to radio communications. Operation of this equipment in a residential area is likely to cause harmful interference in which case the user will be required to correct the interference at his own expense.

FRENCH

CONSIGNES DE SECURITE

ATTENTION

Les consignes de sécurité suivantes doivent être observées pendant toutes les phases de l'utilisation, entretien et réparations de cet équipement. Le non-respect des consignes de sécurité et des avertissements dans ce document viole les normes sécurité de conception, fabrication et utilisation prévue de cet équipement et peut compromettre les protections incorporées en lui.

TDK-Lambda Americas Inc. ne sera pas responsable des conséquences si l'utilisateur ne respecte pas ces consignes.

CATEGORIE D'INSTALLATION

Les alimentations Genesys™ ont été classées dans CATEGORIE INSTALLATION II. Catégorie installation (catégorie surtension) II : utilisation locale, appareils, équipement portable, etc. Avec des surtensions transitoires plus faibles que celles de la catégorie installation (catégorie surtension) III.

MISE A LA TERRE

Ce produit est un instrument Classe 1 Sécurité. Pour minimiser le risque de choc électrique, son châssis doit être raccordé à une terre électrique. L'instrument doit être raccordé à l'alimentation principale AC par un câble à trois conducteurs, le conducteur de terre étant raccordé à une terre électrique (terre sécurité) sur la prise électrique.

Pour les instruments conçus pour être raccordés à l'alimentation électrique principale, la borne de terre doit être raccordée à la terre électrique de sécurité avant d'établir une autre connexion. Si le conducteur de terre est coupé ou si la borne de terre est débranchée, il y a un risque de choc électrique pouvant provoquer des blessures.

ATTENTION-DANGER	
MISE A LA TERRE DES BORNES DE SORTIE	
	Il y a un danger de choc électrique sur les ports RS232/RS485/LAN et IEEE lorsqu'on utilise des alimentations électriques ayant à elles seules ou au total une tension supérieure à 400 V et si la sortie positive de l'alimentation est raccordée à la terre.
	Ne raccordez pas la sortie positive à la terre si vous utilisez les ports RS232/RS485/LAN ou IEEE.

FUSIBLES

Les fusibles ne doivent être remplacés que par des techniciens d'entretien agréés TDK-Lambda Americas Inc. Pour assurer une protection continue contre le risque d'incendie, remplacez les fusibles par des fusibles de même type et de même capacité.

ALIMENTATION PRINCIPALE

N'utilisez pas une alimentation AC dont la tension et la fréquence dépassent les valeurs nominales de cet instrument. La tension et la fréquence nominales des alimentations Genesys™ correspondent à trois intervalles selon le modèle commandé. Les intervalles sont 180-253 Vac/360-440 Vac/432-528 Vac, 50-60Hz. Pour des raisons de sécurité, la tension d'alimentation principale ne doit pas fluctuer en dehors des intervalles ci-dessus.

CIRCUITS SOUS TENSION

Le personnel d'exploitation ne doit pas enlever le couvercle de l'instrument. Le réglage ou le remplacement des composants internes ne peut être effectué que par un personnel qualifié TDK-Lambda Americas Inc. Ne remplacez jamais les composants lorsque le câble d'alimentation est connecté. Pour éviter les blessures, débranchez toujours l'alimentation, déchargez les circuits et retirez la source de tension extérieure avant de toucher les composants.

CONSIGNES DE SECURITE

SUBSTITUTIONS ET MODIFICATIONS DE PIECES

Les substitutions et modifications de pièces ne peuvent être effectuées que par les techniciens d'entretien agréés TDK-Lambda Americas Inc. Pour les réparations ou les modifications, l'instrument doit être renvoyé à un centre d'entretien agréé TDK-Lambda Americas Inc.

CONDITIONS ENVIRONNEMENTALES

L'approbation sécurité des alimentations Genesys™ s'applique aux conditions opératoires suivantes :

*Utilisation en intérieur

*Température ambiante : 0°C à 50°C

*Humidité relative maximum : 80 % (sans condensation)

*Altitude : 3000 m maximum

*Pollution degré 2

	PRECAUTION. Observez les précautions pour manipuler les composants sensibles à l'électricité statique.
	ATTENTION. Risque de choc électrique
	Symbole dans le manuel d'instructions. Ce symbole sera marqué sur l'instrument lorsque l'utilisateur doit consulter le manuel d'instructions.
	Signale une tension dangereuse.
	Signale une borne de terre.
	La borne du conducteur de terre de protection doit être connectée à la terre électrique.
	Coupée (alimentation)
	Branchée (alimentation)
	Le symbole WARNING signale un danger. Il attire l'attention sur une procédure. Si la procédure n'est pas suivie correctement, il peut en résulter des blessures. Le symbole WARNING (Attention-danger) ne doit pas être ignoré et toutes les conditions indiquées doivent être bien comprises et respectées.
	Le symbole CAUTION (Attention) signale un danger. Il attire l'attention sur une procédure. Si la procédure n'est pas suivie correctement, l'équipement peut être endommagé. Ne continuez pas après avoir rencontré le symbole CAUTION tant que vous n'avez pas parfaitement compris et respecté les conditions indiquées.
	NOTE CONCERNANT LA CONFORMITE FCC : Nota : Cet équipement a été testé et s'est avéré conforme aux limites pour un appareil numérique Classe A selon la part 15 des règles FCC. Ces limites sont conçues pour assurer une protection raisonnable contre les interférences dangereuses lorsque l'équipement est utilisé dans un environnement commercial. Cet équipement génère, utilise et peut rayonner des fréquences radio et, s'il n'est pas installé et utilisé conformément au manuel d'instructions, il peut provoquer des interférences dangereuses pour les communications radio. L'utilisation de cet équipement dans une zone résidentielle provoquera probablement des interférences nocives, et dans ce cas l'utilisateur doit prendre des mesures pour les supprimer à ses propres frais.

GERMAN

Sicherheitsvorschriften

VORSICHT

Die folgenden Sicherheitsvorschriften müssen in allen Phasen des Betriebs, der Wartung und der Reparatur der Anlage eingehalten werden. Eine Missachtung der Sicherheitsvorschriften und Warnhinweise aus diesem Handbuch führt zur Verletzung der bestehenden Sicherheitsstandards für Design, Produktion und der zweckbestimmten Verwendung der Anlage und kann die integrierten Schutzvorrichtungen beschädigen.

TDK-Lambda Americas Inc. ist nicht haftbar für Schäden, die durch Missachtung dieser Sicherheitsvorschriften entstehen können.

INSTALLATIONSKATEGORIE

Die Genesys™ Reihe der Netzgeräte wurde in die INSTALLATIONSKATEGORIE II eingeteilt. Installationskategorie (Überspannungskategorie) II: die lokale Ebene, Geräte, tragbare Anlagen, etc. mit kleineren vorübergehenden Überspannungen als die Installationskategorie (Überspannungskategorie) III.

ERDUNGSKONZEPT

Dieses Produkt ist ein Gerät der Schutzklasse 1. Zur Vermeidung von gefährlichen Energieinhalten und Spannungen, ist das Gehäuse des Gerätes an eine Schutzerde anzuschließen. Das Gerät muss über ein Dreileiterstromkabel an die AC-Hauptstromversorgung angeschlossen werden, wobei das Erdungskabel fest mit einer elektrischen Erdung (Schutzerde PE) am Stromanschluss verbunden sein muss.

Bei Festverdrahtung der Geräte ist sicherzustellen, dass der PE-Anschluss an die elektrische Schutzerde angeklemt wird, bevor das Gerät an die Stromversorgung angeschlossen wird. Jede Unterbrechung des PE-Leiters oder die Trennung der PE-Verbindung kann einen möglichen elektrischen Schlag hervorrufen, der Personenschäden zur Folge haben kann.

WARNUNG

ERDUNG DER AUSGANGSANSCHLÜSSE



Es besteht die Gefahr von möglichen Schlägen an der RS232/RS485/LAN und den IEEE-Anschlüssen, wenn Netzgeräte mit höheren Nenn- oder kombinierten Spannungen als 400 V verwendet werden und die positive Ausgangsspannung der Netzgeräte geerdet wurde.

Klemmen Sie die positive Ausgangsspannung **nicht** an die Schutzerde an, wenn Sie RS232/RS485/LAN oder IEEE verwenden.

SICHERUNGEN

Sicherungen dürfen nur durch von TDK-Lambda Americas Inc. zugelassenes Personal ausgewechselt werden. Für anhaltenden Brandschutz dürfen die Sicherungen nur mit baugleichen Sicherungen mit der gleichen Leistung ersetzt werden.

SICHERHEITSVORSCHRIFTEN

EINGANGSLEISTUNG

Verwenden Sie keine AC-Spannung, die die Eingangsleistung und Frequenzrate dieses Gerätes übersteigt. Die Eingangsspannung und Frequenzrate der Genesys™ Reihe der Netzgeräte verfügt über drei Eingangsbereiche, je nach bestelltem Bautyp. Die Bereiche sind 180-253 VAC/360-440 VAC/432-528 VAC, 50-60Hz. Aus Sicherheitsgründen sollten die Spannungsschwankungen der Hauptstromversorgung den oberen Spannungsbereich nicht übersteigen.

SPANNUNGSFÜHRENDE TEILE

Die Geräteabdeckung darf nicht durch Betriebspersonal entfernt werden. Interne Modifikationen sowie Bauteilaustausch sind nur durch von TDK-Lambda Americas Inc. qualifiziertes Personal erlaubt. Vor dem Austausch von Komponenten muss immer die Versorgungsspannung getrennt werden. Um Personenschäden zu vermeiden, muss vor dem Kontakt mit dem Gerät immer die Stromversorgung unterbrochen, die Stromkreise entladen und externe Spannungsquellen entfernt werden.

ERSATZTEILE & MODIFIKATIONEN

Ersatzteile und Modifikationen dürfen nur durch von TDK-Lambda Americas Inc. zugelassenes Personal durchgeführt werden. Für Reparaturen oder Modifikationen muss das Gerät an einen autorisierten TDK-Lambda Americas Inc. Vertriebspartner geschickt werden.

UMGEBUNGSBEDINGUNGEN

Die Sicherheitsbestätigung der Genesys™ Netzteilserie gilt für die folgenden Betriebszustände:









* Gebrauch im Innenbereich
50°C

*Umgebungstemperatur: 0°C bis

*Maximale relative Luftfeuchtigkeit: 80% (keine Kondensation)

*Höhe: bis zu 3.000 m

* Verschmutzungsgrad 2

	ACHTUNG Beachten Sie die Vorsichtsmaßnahmen im Umgang mit elektrostatisch gefährdeten Bauteilen.
	VORSICHT Gefahr von elektrischen Schlägen.
	Symbol der Bedienungsanleitung. Dieses Symbol wird am Gerät angezeigt, wenn der Benutzer die Bedienungsanleitung lesen soll.
	Weist auf eine gefährliche Spannung hin.
	Weist auf eine Erdungsklemme hin.
	PE-Leiterklemme must an Erde angeschlossen werden.
	Aus (Versorgung)
	Ein (Versorgung)
	Das WARNSYMBOL deutet auf eine Gefahr hin. Die Aufmerksamkeit wird auf ein Verfahren gelenkt. Eine Missachtung der Einhaltung des Verfahrens kann zu Personenschaden führen. Eine WARNUNG darf nicht übergangen werden und alle angezeigten Umstände müssen vollkommen verstanden und eingehalten werden.

SICHERHEITSVORSCHRIFTEN

CAUTION	Das VORSICHTSYMBOL deutet auf eine Gefahr hin. Die Aufmerksamkeit wird auf ein Verfahren gelenkt. Eine Missachtung der korrekten Einhaltung des Verfahrens kann zu Materialschaden führen. Ein VORSICHTSYMBOL darf nicht übergangen werden bis alle angezeigten Umstände vollkommen verstanden und eingehalten werden.
	FCC EINHALTUNGSVERMERK: Hinweis: Das Gerät wurde geprüft und erfüllt die Grenzwerte für ein digitales Gerät der Klasse A gemäß Teil 15 der FCC-Regeln. Diese Grenzwerte wurden definiert, um angemessenen Schutz vor gefährlichen Störungen zu bieten, wenn das Gerät im kommerziellen Umfeld betrieben wird. Dieses Gerät kann Funkfrequenzenergie erzeugen, verwenden und ausstrahlen und kann, sofern es nicht gemäß dem Benutzungshandbuch installiert wurde, gefährliche Störungen im Funkverkehr verursachen. Es ist wahrscheinlich, dass dieses Gerät in Wohngebieten zu schädlichen Störungen führt, die in solchen Fällen auf Kosten des Benutzers behoben werden müssen.

ITALIAN

NORME DI SICUREZZA

ATTENZIONE

La seguente precauzione di sicurezza deve essere osservata a tutti gli stadi del funzionamento, della manutenzione e della riparazione di questa apparecchiatura. L'inosservanza delle precauzioni o delle avvertenze di sicurezza contenute in questo documento viola gli standard di sicurezza della progettazione, della produzione e dell'uso previsto di questa apparecchiatura, e può compromettere i dispositivi di protezione in essa incorporati.

TDK-Lambda Americas Inc. non si assume alcuna responsabilità per il mancato rispetto di questi requisiti da parte dell'utente.

CATEGORIA DI INSTALLAZIONE

La serie di alimentatori Genesys™ è stata valutata e risulta conforme alla CATEGORIA DI INSTALLAZIONE II. Categoria di installazione (categoria di sovratensione) II: livello locale, elettrodomestici, apparecchiature portatili ecc. Con sovratensioni transitorie inferiori alla Categoria di installazione (categoria di sovratensione) III.

MESSA A TERRA

Questo prodotto è uno strumento di Classe di sicurezza 1. Per minimizzare il pericolo di scosse elettriche, il telaio dello strumento deve essere collegato a una terra elettrica. Lo strumento deve essere collegato alla rete di alimentazione a CA mediante un cavo a tre conduttori, con il filo di terra ben collegato a una terra elettrica (terra di sicurezza) in corrispondenza della presa di corrente.

Per strumenti progettati per il cablaggio alla rete di alimentazione, il terminale protettivo di terra va collegato alla terra elettrica di sicurezza prima di procedere ad altri collegamenti. Eventuali interruzioni del conduttore protettivo di terra, o scollegamenti del terminale protettivo di terra, porteranno al rischio di scossa elettrica e di conseguente potenziale infortunio.

AVVERTENZA

MESSA A TERRA DEI TERMINALI DI USCITA



Vi è rischio di scossa elettrica in corrispondenza delle porte RS232/RS485/LAN e IEEE se si utilizzano alimentatori con tensione nominale o combinata oltre 400 V e con l'Uscita positiva dell'alimentatore messa a terra.

Non collegare alla terra l'Uscita positiva quando si usano le porte RS232/RS485/LAN o IEEE.

FUSIBILI

I fusibili devono essere sostituiti unicamente da addetti autorizzati di TDK-Lambda Americas Inc. Per una protezione continua dal rischio di incendi, sostituire sono con fusibili di tipo e di potenza nominale identici.

POTENZE NOMINALI IN INGRESSO

Non usare un'alimentazione a CA che superi la tensione in ingresso e la potenza nominale di frequenza di questo strumento. La tensione in ingresso e la potenza nominale di frequenza della serie di alimentatori Genesys™ presentano tre bande di ingressi, a seconda del tipo di modello ordinato. Le bande sono: 180 - 253 Vac/360 - 440 Vac/432 - 528 Vac, 50-60 Hz. Per ragioni di sicurezza, eventuali fluttuazioni nella tensione di rete non devono superare il campo di potenze nominali suddetto.

CIRCUITI SOTTO TENSIONE

Nessun addetto deve mai rimuovere il coperchio dello strumento. Le regolazioni interne e la sostituzione dei componenti sono consentite unicamente al personale qualificato di TDK-Lambda Americas Inc. Non sostituire mai un componente con il cavo elettrico ancora collegato. A prevenzione degli infortuni, staccare sempre la corrente, scaricare i circuiti e scollegare le fonti di tensione esterne prima di toccare i componenti.

NORME DI SICUREZZA

SOSTITUZIONI E MODIFICHE DEI COMPONENTI

I componenti devono essere sostituiti o modificati unicamente da addetti autorizzati di TDK-Lambda Americas Inc. Per riparazioni o modifiche, restituire lo strumento al centro assistenza di TDK-Lambda Americas Inc.

CONDIZIONI AMBIENTALI

L'approvazione della sicurezza della serie di alimentatori Genesys™ è valida in presenza delle condizioni d'uso seguenti:











*Uso in interni

*Temperatura ambiente: 0 °C - 50 °C

*Umidità relativa massima: 80% (zero condensa)

*Altitudine: fino a 3000 m

*Inquinamento grado 2

	ATTENZIONE Osservare le precauzioni su come maneggiare i dispositivi sensibili alle scariche elettrostatiche.
	ATTENZIONE Rischio di scossa elettrica
	Simbolo del manuale delle istruzioni. Lo strumento sarà contrassegnato da questo simbolo ovunque l'utente deve fare riferimento al manuale delle istruzioni.
	Indica tensioni pericolose.
	Indica il terminale di terra.
	Il terminale del conduttore protettivo di terra deve essere collegato alla messa a terra.
	Spento (Alimentazione)
	Acceso (Alimentazione)
	Il simbolo di AVVERTIMENTO denota un periodo. È necessario prestare attenzione alla procedura. Il mancato rispetto della procedura può sfociare in un infortunio. Non ignorare alcun simbolo di AVVERTIMENTO. Tutte le condizioni indicate devono essere pienamente comprese e rispettate.
	Il simbolo di ATTENZIONE denota un pericolo. È necessario prestare attenzione alla procedura. Il mancato rispetto della procedura può sfociare in danni per l'apparecchiatura. Non procedere oltre un simbolo di ATTENZIONE senza prima avere pienamente compreso e rispettato tutte le condizioni indicate.

NORME DI SICUREZZA

AVVISO DI CONFORMITÀ FCC:

NB: Questa apparecchiatura è stata testata ed è risultata conforme ai limiti per i dispositivi digitali di Classe A, ai sensi della parte 15 dei Regolamenti FCC. Tali limiti sono formulati per offrire ragionevole protezione dalle interferenze pericolose quando l'apparecchiatura viene azionata in ambienti commerciali. Questa apparecchiatura genera, usa e può irradiare energia a radiofrequenza; se non viene installata ed utilizzata attenendosi al manuale delle istruzioni, può causare interferenze pericolose per le radiocomunicazioni. È probabile che l'uso di questa apparecchiatura in zone residenziali provochi interferenze pericolose. In tal caso, l'utente dovrà rettificare a proprie spese tali interferenze.

PORTUGUESE

INSTRUÇÕES DE SEGURANÇA

CUIDADO

As seguintes precauções de segurança devem ser respeitadas em todas as fases de funcionamento, assistência e reparação deste equipamento. A não observância dos avisos e precauções de segurança constantes neste documento viola os padrões de segurança da concepção, fabrico e utilização pretendida deste equipamento, podendo danificar as protecções integradas no seu interior. A TDK-Lambda Americas Inc. não poderá ser responsabilizada pelo não cumprimento destes requisitos por parte do utilizador.

CATEGORIA DA INSTALAÇÃO

A série Genesys™ de fontes de alimentação foi avaliada como sendo uma INSTALAÇÃO DA CATEGORIA II. Categoria da instalação (categoria de sobretensão) II: nível local, instrumentos, equipamento portátil, etc. Com uma sobretensão transitória provisória inferior à das instalações da categoria (categoria de sobretensão) III.

LIGAÇÃO À TERRA

Este produto é um instrumento de Classe de Segurança 1. Para reduzir o risco de choque, o chassis do instrumento deve ter ligação de terra. O instrumento deve ser ligado à fonte de alimentação de corrente alternada através de um cabo de alimentação de três condutores, com o fio de terra firmemente ligado a uma ligação de terra (sistemas de segurança por ligação à terra) na tomada de alimentação.

Em instrumentos concebidos para serem ligados à fonte de alimentação através de cabos, o terminal de terra de protecção deve ser ligado ao sistema eléctrico de segurança por ligação à terra antes de se realizar qualquer outra ligação. Qualquer interrupção do condutor de terra de protecção ou corte do terminal de terra de protecção poderá originar um risco de choque passível de provocar ferimentos.

AVISO

LIGAÇÃO À TERRA DE TERMINAIS DE SAÍDA



Há a possibilidade de existir risco de choque nas portas RS232/RS485/LAN e IEEE quando se utilizam fontes de alimentação com tensão nominal ou combinada superior a 400 V e a saída positiva da fonte de alimentação está ligada à terra. Não ligue a saída positiva à terra quando utilizar as portas RS232/RS485/LAN ou IEEE.

FUSÍVEIS

Os fusíveis apenas devem ser substituídos por pessoal de assistência autorizado da TDK-Lambda Americas Inc. Para obter uma protecção contínua contra o risco de incêndios, substitua sempre os fusíveis por outros do mesmo tipo e classificação.

CLASSIFICAÇÃO DAS ENTRADAS

Não utilize fontes de alimentação de corrente alternada que excedam a tensão de entrada e a classificação de frequência deste instrumento. A tensão de entrada e a classificação de frequência das fontes de alimentação da série Genesys™ têm três gamas de entrada, de acordo com o tipo de modelo encomendado. As gamas são: 180-253 Vac/360-440 Vac/432-528 Vac, 50-60 Hz. Por motivos de segurança, as flutuações da tensão da fonte de alimentação não devem exceder a gama da tensão superior.

INSTRUÇÕES DE SEGURANÇA

CIRCUITOS SOB TENSÃO

Os operadores não devem retirar a cobertura do instrumento. A realização de ajustes internos ou substituições de componentes só é permitida se realizada por pessoal especializado da TDK-Lambda Americas Inc. Nunca substitua componentes com o cabo de alimentação ligado. Para evitar ferimentos, desligue sempre a energia, descarregue os circuitos e desligue a fonte de tensão externa antes de tocar nos componentes.

MODIFICAÇÕES E SUBSTITUIÇÕES DE PEÇAS

As modificações e substituições de peças apenas são permitidas quando realizadas pelo pessoal de assistência da TDK-Lambda Americas Inc. Para a realização de reparações ou modificações, é necessário devolver o instrumento a uma unidade de serviço autorizada da TDK-Lambda Americas Inc.

CONDIÇÕES AMBIENTAIS

A aprovação de segurança das fontes de alimentação da série Genesys™ aplica-se às seguintes condições de funcionamento:











*Utilização no interior

*Temperatura ambiente: De 0 °C a 50 °C

*Humidade relativa máxima: 80% (sem condensação)

*Altitude: até 3000 m

*Nível de poluição 2

	ATENÇÃO: Respeitar as precauções relativas ao manuseamento de dispositivos sensíveis a electricidade estática.
	CUIDADO: Risco de choque eléctrico
	Símbolo do manual de instruções. O instrumento será assinalado com este símbolo sempre que for necessário que o utilizador consulte o manual de instruções.
	Indica tensão perigosa.
	Assinala um terminal de ligação à terra.
	O terminal do condutor de terra de protecção deve estar ligado à terra.
	Desactivado (alimentação)
	Activado (alimentação)
	O sinal de AVISO assinala um perigo. Solicita-se atenção para um procedimento. Não seguir correctamente o procedimento pode resultar em ferimentos. Não se deve ignorar um sinal de AVISO, e todas as condições indicadas devem ser compreendidas e respeitadas.
	O sinal de CUIDADO assinala um perigo. Solicita-se atenção para um procedimento. Não seguir correctamente o procedimento pode resultar em danos no equipamento. Quando encontrar um sinal de CUIDADO não avance até que todas as condições indicadas tenham sido completamente entendidas e respeitadas.

INSTRUÇÕES DE SEGURANÇA

DECLARAÇÃO DE CONFORMIDADE FCC:

Nota: Este equipamento foi testado e considerado estar dentro dos limites necessários para um dispositivo digital da Classe A, em conformidade com a parte 15 das normas da FCC. Estes limites estão concebidos de forma a fornecer uma protecção razoável contra interferências nocivas quando o equipamento é utilizado num ambiente comercial. Este equipamento gera, utiliza, e pode emitir energia por radiofrequência e, caso não seja instalado e utilizado de acordo com o manual de instruções, pode provocar interferências nocivas nas comunicações por rádio. A utilização deste equipamento numa área residencial poderá provocar interferências nocivas, situação na qual a correcção da interferência ficará ao encargo do próprio utilizador.

SPANISH

SAFETY INSTRUCTIONS INSTRUCCIONES DE SEGURIDAD

PRECAUCIÓN

La siguiente precaución de seguridad debe ser respetada durante todas las fases de funcionamiento, mantenimiento y reparación de este equipo. El incumplimiento de las precauciones o advertencias de seguridad recogidas en este documento infringe las normativas de seguridad de diseño, fabricación y uso previsto de este equipo y puede afectar a las protecciones incorporadas en el mismo.

TDK-Lambda Americas Inc. no asumirá responsabilidad alguna si el usuario no cumple estos requisitos.

CATEGORÍA DE INSTALACIÓN

La serie de fuentes de alimentación Genesys™ ha sido evaluada conforme a la CATEGORÍA DE INSTALACIÓN II. Categoría de instalación (categoría de sobretensión) II: equipos de nivel local, eléctricos, portátiles, etc. Con una sobretensión transitoria menor que la Categoría de Instalación (categoría de sobretensión) III.

CONEXIÓN A TIERRA

Este producto es un aparato de Seguridad de Clase 1. Para minimizar el riesgo de descargas, el chasis del aparato se debe conectar a una toma de tierra eléctrica. El aparato se debe conectar a la toma de energía eléctrica de corriente alterna de la red de distribución a través de un cable de alimentación de tres conductores, con el conductor de tierra firmemente conectado a una toma de tierra eléctrica (toma de tierra de seguridad) de la toma de corriente.

En el caso de aquellos aparatos diseñados para quedar cableados a la red de alimentación, el borne de tierra de protección se debe conectar a la toma de tierra eléctrica de seguridad antes de establecer cualquier otra conexión. Cualquier interrupción del conductor de tierra de protección o desconexión del borne de tierra de protección supondrá un riesgo potencial de descarga eléctrica que puede llegar a causar daños personales.

WARNING ADVERTENCIA

OUTPUT TERMINALS GROUNDING CONEXIÓN A TIERRA DE LOS BORNES DE SALIDA



There is a potential shock hazard at the RS232/RS485/LAN and the IEEE ports when using power supplies with rated or combined voltage greater than 400V and the Positive Output of the Power Supply is grounded. El uso de fuentes de alimentación con una tensión nominal o combinada superior a 400V y la Salida Positiva de la Fuente de Alimentación conectada a tierra, representa un riesgo potencial de descarga en los puertos RS232/RS485/LAN e IEEE.

Do Not connect the Positive Output to ground when using the RS232/RS485/LAN or IEEE. No conecte la Salida Positiva a tierra si va a utilizar los puertos RS232/RS485/LAN o IEEE.

FUSIBLES

Los fusibles sólo pueden ser cambiados por el personal de servicio autorizado de TDK-Lambda Americas Inc. Para una protección permanente contra el peligro de incendios, utilice únicamente fusibles del mismo tipo y de la misma potencia nominal.

POTENCIAS NOMINALES DE ENTRADA

No utilice fuentes de alimentación de CA cuyos valores nominales superen los de la tensión y frecuencia de entrada de este aparato. Los valores nominales de la tensión y frecuencia de entrada de la serie de fuentes de alimentación Genesys™ tienen tres rangos de entrada dependiendo del tipo de modelo elegido. Los rangos son 180-253 VCA/360-440 VCA/432-528 VCA, 50-60 Hz. Por razones de seguridad, las fluctuaciones en la tensión de alimentación de la red no deberían superar los rangos de tensión antedichos.

INSTRUCCIONES DE SEGURIDAD

CIRCUITOS ACTIVOS

El personal operativo no debe retirar la cubierta del aparato. Los ajustes internos o el reemplazo de componentes sólo pueden ser realizados por el personal cualificado de TDK-Lambda Americas Inc. Desenchufe siempre el cable de alimentación antes de reemplazar los componentes. Para evitar lesiones, desenchufe siempre el cable de alimentación, descargue los circuitos y desconecte la fuente de tensión externa antes de tocar los componentes.

SUSTITUCIÓN Y MODIFICACIÓN DE LAS PIEZAS

Las piezas sólo pueden ser sustituidas o modificadas por el personal de servicio autorizado de TDK-Lambda Americas Inc. Para cualquier reparación o modificación del aparato, éste debe ser enviado a un centro de servicio autorizado de TDK-Lambda Americas Inc.

CONDICIONES MEDIOAMBIENTALES

La aprobación de seguridad de la serie de fuentes de alimentación Genesys™ es aplicable a las siguientes condiciones de funcionamiento:











*Uso en interiores

*Temperatura ambiente: 0°C a 50°C

*Humedad relativa máxima: 80% (sin condensación)

*Altitud: hasta 3000 m

*Grado de contaminación 2

	ATENCIÓN Observe las precauciones de manejo de dispositivos sensibles electrostáticos
	PRECAUCIÓN Riesgo de descargas eléctricas
	Símbolo de manual de instrucciones. Este símbolo se pondrá en el aparato siempre que el usuario tenga que consultar el manual de instrucciones.
	Indica una tensión peligrosa.
	Indica un borne de tierra.
	El borne del conductor de tierra de protección debe estar conectado para poder establecer una conexión a tierra.
	Apagado (fuente de alimentación)
	Encendido (fuente de alimentación)
	El símbolo de ADVERTENCIA indica un peligro. Llama la atención ante un procedimiento. Si el procedimiento no se realiza correctamente, podrían producirse lesiones personales. Los símbolos de ADVERTENCIA no se pueden pasar por alto y deben comprenderse y cumplirse todas las condiciones indicadas.
	El símbolo de PRECAUCIÓN indica un peligro. Llama la atención ante un procedimiento. Si el procedimiento no se realiza correctamente, el equipo podría sufrir daños. Cuando encuentre un símbolo de PRECAUCIÓN, no siga hasta que no haya comprendido y esté seguro de que se cumplen las condiciones indicadas.

INSTRUCCIONES DE SEGURIDAD

DECLARACIÓN DE CONFORMIDAD CON LA FCC:

Nota: Este equipo ha sido ensayado y cumple con los límites establecidos para los dispositivos digitales de Clase A, de conformidad con lo dispuesto en el Apartado 15 de la normativa de la FCC. Estos límites han sido diseñados para proporcionar una protección razonable contra interferencias perjudiciales cuando el equipo se utilice en entornos comerciales. Este equipo genera, usa y puede emitir energía de radiofrecuencia y, si no se instala y utiliza de acuerdo con el manual de instrucciones, puede ocasionar interferencias perjudiciales con las comunicaciones por radio. La utilización de este equipo en un área residencial puede llegar a provocar interferencias perjudiciales, en cuyo caso se le pedirá al usuario que las corrija y que se haga cargo del gasto generado.

1. GENERAL INFORMATION

1.1. User Manual Content

This User's Manual contains the operating instructions, installation instructions and specifications of the Genesys™ 15KW and 10KW power supply series. The instructions refer to the standard power supplies, including the built-in RS232/485 serial communication. For information related to operation with the optional IEEE programming, refer to User's Manual for Power Supply IEEE/IEMD Programming Interface. For information related to operation with the optional LAN programming, refer to the User's Manual for Power Supply LAN Programming Interface.

1.2. Introduction

1.2.1. General Description

Genesys™ power supplies are wide output range, high performance switching power supplies. The Genesys™ series is power factor corrected and operates from specified AC voltage range continuously. Output voltage and current are continuously displayed and LED indicators show the complete operating status of the power supply. The Front panel controls allow the user to set the output parameters, the protections levels (Over-Voltage protection, Under-Voltage limit and Foldback) and preview the settings. The rear panel includes the necessary connectors to control and monitor the power supply operation by remote analog signals or by the built-in serial communication (RS232/485). GPIB programming and Isolated-Analog programming/monitoring are optional

1.2.2. Features and Options

- Constant Voltage / Constant Current with automatic crossover.
- Embedded Microprocessor Controller.
- Built-in RS-232/RS-485 Interface.
- Voltage & Current high resolution adjustment by digital encoders.
- High accuracy programming/ readback.
- Last Setting Memory.
- Independent Remote ON/OFF (opto-isolated) and remote Enable/Disable.
- Remote sensing to compensate for voltage drop of power leads.
- External Analog Programming and Monitoring standard (0-5V or 0-10V, user selectable).
- Zero stacking
- No ventilation required at the top and bottom surface of the power supply.
- Option IEEE-488 (GPIB) and LAN interface are SCPI compliant.
- Optional Isolated Analog programming/monitoring (0-5V or 0-10V, or 4-20mA).

1.2.3. Control via the Serial Communication Port

The following parameters can be programmed via the serial communication port:

- a) Output voltage setting.
- b) Output current setting.
- c) Output voltage measurement.
- d) Output On/Off control.
- e) Output current measurement.
- f) Foldback protection setting
- g) Over-voltage protection setting and readback.
- h) Under-Voltage limits setting and readback.
- i) Power-supply start up mode (last setting or safe mode).

1.2.4. Analog Voltage Programming and Monitoring

Analog inputs and outputs are provided at the rear panel for analog control of the power supply. The output voltage and the current limit can be programmed by analog voltage or by resistor, and can be monitored by analog voltage. The power supply output can be remotely set to On or Off and analog signals monitor the proper operation of the power supply and the mode of operation (CV/CC).

1.2.5. Parallel Operation

Genesys™ power supplies of the same output voltage and current rating can be paralleled in master-slave configuration with automatic current sharing to increase power available.

1.2.6. Output Connections

Output connections are made to rear panel via bus-bars up to 300V. For greater than 300Vo via stud terminals. Either the positive or negative terminal may be grounded or the output may be floated. Contact factory for assistance with higher float voltage applications. Local or remote sense may be used. In remote sense, the voltage drop on the load wires should be minimized. Refer to the specifications for the maximum voltage drop value.

1.2.7. Cooling and Mechanical Construction

The Genesys™ series is cooled by internal fans. At the installation, care must be taken to allow free airflow into the power supply via the front panel and out of the power supply via the rear panel.

CAUTION

Observe all torque guidelines within this manual. Over torqueing may damage unit or accessories. Such damage is not covered under manufacturer's warranty.

1.3. Accessories

1.3.1. Included Accessories - The following accessories are *delivered with the power supply*.

1.3.1.1. Hardware:

- Strain Relief for AC Cord
- Output terminal Shield
- DB25 Programming Plug kit (AMP 749809-9)

1.3.2. Optional Communication Cables

- RS-232 Cables to connect GEN to Serial Port on PC

GEN to PC (DB9)	GEN 232/9	P/N 15-507-203
GEN to PC (DB25)	GEN 232/25	P/N 15-507-204

- RS-485 Cable to connect GEN to Serial Port on PC

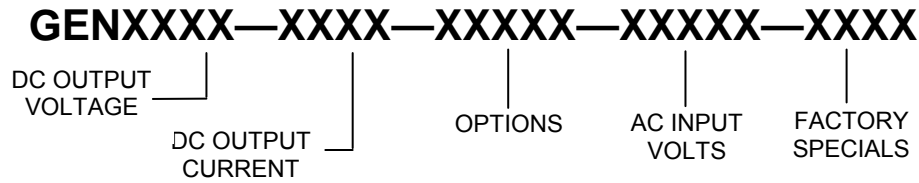
GEN to PC(DB9)	GEN/485-9	P/N 15-507-202
----------------	-----------	----------------

1.3.3. AC cables – Not applicable.

1.4. Model Number Format

The model numbering system for Genesys™ power supply includes symbols for features and options. They are separated by dashes.

The following chart explains the model number for the GEN Power Supply Family.



Option		AC Input Volts		Factory Specials
Note 5		Note 1,2,3		Note 4
IS510	ISOL PROG 0-5V, 0-10V	3P208	208VAC,3 ϕ 47 / 63Hz	Blank for standard supplies
IS420	ISOL PROG 4-20mA	3P400	400VAC,3 ϕ 47 / 63Hz	
IEMD	IEEE W/ MULTI-DROP	3P480	480VAC,3 ϕ 47 / 63Hz	
MD	STANDARD W/ MULTI-DROP			
LAN	LXI CERTIFIED ETHERNET OPTION			

Note 1: See Specifications for Input Range.

Note 2: CE Mark with IEMD to 400VDC Output, without IEMD to 600VDC


Note 3: All 3 ϕ are four wire input = 3 ϕ + GND (No Neutral).

Note 4: Analog Meters are NOT available.

*Note 5: IS510, IS420, IEMD, or LAN may not be installed together.
Factory Installed. Limit one (1) per Power Supply.*

EXAMPLES: GEN10-1000-3P208
 GEN10-1000-IEMD-3P400
 GEN 10-1000-IEMD-3P400-1292

WARNING
IEEE 488/ RS232 Option



There is a potential shock hazard at the RS232/485/LAN and the IEEE ports when using power supplies with rated or combined voltage greater than 400V and the Positive Output of the Power Supply is grounded.

Do Not connect the Positive Output to ground when using the RS232/485, LAN or IEEE.

2. SPECIFICATION

All specifications are subject to change without notice.

Contact factory for specific model availability.

2.1. OUTPUT RATING (Duty Cycle Continuous Duty).

2.1.1. Standard Models – 10kW

1. Rated output Voltage	V	7.5	10	12.5	20	25	30	40	50	60	80	100	125	150	200	250	300	400	500	600
2. Rated Output Current	A	1000	1000	800	500	400	333	250	200	167	125	100	80	66	50	40	33	25	20	17
3. Rated Output Power	kW	7.5	10.0	10.0	10.0	10.0	10.0	10.0	10.0	10.0	10.0	10.0	10.0	9.9	10.0	10.0	9.9	10.0	10.0	10.2

2.1.2. Standard Models – 15kW

1. Rated output Voltage	V	N/A	N/A	N/A	N/A	N/A	N/A	N/A	N/A	N/A	60	80	100	125	150	200	250	300	400	500	600
2. Rated Output Current	A										250	187.5	150	120	100	75	60	50	37.5	30	25
3. Rated Output Power	kW										15.0	15.0	15.0	15.0	15.0	15.0	15.0	15.0	15.0	15.0	15.0

2.2. INPUT CHARACTERISTICS

	V	7.5	10	12.5	20	25	30	40	50	60	80	100	125	150	200	250	300	400	500	600
1. Input voltage/freq. (range)	---	208VAC (180-253), 400 VAC (360-440), 480 VAC (432-528), all 47-63Hz																		
2. No of phase	---	3 Phase (Wye or Delta) 4 wire total (3 Phase and 1 protective earth ground)																		
3. Dropout voltage	V	175/355/425																		
4. Input current 180/360/432 VAC	A	10kw – 45/23/20									15kw – 64/32/27						All at full rated output power.			
5. Power Factor	---	0.88 Passive																		
6. Efficiency at Low Line, 100% load	%	77min for 7.5kw, 83 min for 10kw, 88 min for 15kw																		
7. Inrush current	A	Not to exceed full rated input current See Para 2.4																		
8. Leakage current	mA	3.5 (EN60950-1) max																		
9. Input Protection	---	208 Circuit Breaker, 400/480 Line Fuse																		
10. Fuse	---	400/480 Input Only																		
11. Input Overvoltage Protection		Unit shall not be damaged by line overvoltage with max. duration of 100uSec. Up to 120% of nominal AC input voltage.																		
12. Phase Imbalance	%	= <5% on Three Phase Input																		

2.3. STATIC CHARACTERISTICS

	V	7.5	10	12.5	20	25	30	40	50	60	80	100	125	150	200	250	300	400	500	600	
1. Max. line regulation c.v	---	0.1% of FS from I _o min. to I _o max										0.01% of FS from I _o min. to I _o max									
2. Max. line regulation c.c	---	0.1% of FS from V _o min. to V _o max										0.05% of FS from I _o min. to I _o max									
3. Max load regulation c.v	---	0.1% of FS from I _o min. to I _o max										0.02% of FS I _o min. to I _o max									
4. Max load regulation c.c	---	0.1% of FS from V _o min. to V _o max										0.075% of FS from V _o min. to V _o max									
5. Temp. drift c.v	---	+/-0.05% of Full Scale over 8 hours, after 30 minute warm up, constant Line, Load & Temperature																			
6. Temp drift c.c	---	+/-0.05% of Full Scale over 8 hours, after 30 minute warm up, constant Line, Load & Temperature																			
7. Stability c.v	PPM/C	200 (0.02% Full Scale)/Degree C																			
8. Stability c.c	PPM/C	300 (0.03% Full Scale)/Degree C																			
9. Output noise p-p (20MHz) c.v	mV	60	60	60	60	60	60	60	75	75	100	100	125	135	135	200	200	200	300	350	
10. Ripple r.m.s 5Hz~1MHz c.v	mV	20	20	20	20	20	20	20	20	20	25	25	25	25	35	35	60	60	60	60	
11. Ripple r.m.s 5Hz~1MHz c.c (10kW)	mA	5100	5100	2600	2600	1700	1700	100	80	67	50	40	32	20	20	16	13	10	8	7	
12. Ripple r.m.s 5Hz~1MHz c.c (15kW)	mA	-	-	-	-	-	-	-	-	100	100	100	50	50	20	20	20	10	10	10	
*Ripple and Noise at Full Rated Voltage & Load at 25C, Nominal Line. For models not listed use the ripple limit of the next higher voltage model. Per EIJ RC9002A.																					
13. Rem. sense compensation/wire	V	1	1	1	1	1	1.5	2	3	3	4	5	5	5	5	5	5	5	5	5	

2.4. PROTECTIVE FUNCTIONS

	V	7.5	10	12.5	20	25	30	40	50	60	80	100	125	150	200	250	300	400	500	600	
1. OCP	%	0~100																			
2. OCP Type	---	Constant current																			
3. Knee point protection	---	None, No damage at knee point operation																			
4. Short circuit protection	---	Yes																			
5. Short circuit burn-in	---	Yes																			
6. Foldback protection	---	Output shut down, manual reset by front panel OUT button.																			
7. Foldback response time	S	Less than 1																			
8. OVP Type	---	Inverter shut-down, manual reset by On/Off recycle or by OUT button.																			
9. OVP programming accuracy	%	5% Full Scale																			
10. OVP adjustment method	---	Adjust by front panel Voltage encoder and comm. port.																			
11. OVP trip point	V	0.05 to (1.02 -1.05) x Rated Output Voltage																			
12. OVP response time	mS	Less than 10mS for Output to begin to drop.																			
13. Max. OVP reset time	S	7 from Turn On																			
14. Output under voltage limit	---	Preset by front panel or communication port. Prevents from adjusting V_{out} below limit. Raises the Output good signal in case of output voltage is below limit.																			
15. Input under voltage protection	---	Yes. Power supply shut down below low line.																			
16. Over temp protection	---	Unit shall shut down when internal temperature exceeds safe operating levels. (Latched in Safe mode and unlatched in auto mode).																			
17. Phase Loss Protection		Yes																			

2.5. DYNAMIC CHARACTERISTICS

	V	7.5	10	12.5	20	25	30	40	50	60	80	100	125	150	200	250	300	400	500	600	
1. Up-prog. Response time, 0~Vomax full-load	mS	100	100	100	100	100	100	100	100	100	100	100	100	100	100	100	100	100	100	100	100
2. Down-prog response time full-load	mS	100	100	100	100	100	100	100	100	100	100	100	100	100	100	100	100	100	100	100	100
3. Transient response time (cv mode)	mS	Time for the output voltage to recover within 2% of its rated output voltage for a load change of 50 ~100% or 100 ~50% of rated output set-point. Less than 3.																			
NOTE:	Properties 5.1- 5.6 with Resistive Load.																				
4. Time for Output Stable	S	2 maximum from enable output until output stable.																			
5. Output fall and rise	---	Overshoot limited to 125% Rated Output. Voltage at No-Load, Full-Load, Resistive Load.																			
6. Start-up delay	S	Less than 7 (without IEEE option)																			

2.6. REMOTE ANALOG CONTROL AND SIGNALS

1. Vout voltage programming	---	0 ~100%, 0 ~5V or 0 ~10V, user selectable. Accuracy & Linearity +/-1% of Rate Vo.																			
2. Iout voltage programming	---	0 ~100%, 0 ~5V or 0 ~10V, user selectable. Accuracy & Linearity +/-1% of Rate Io.																			
3. Vout resistor programming	---	0 ~100%, 0 ~5/10kohm full scale, user selectable. Accuracy & Linearity +/-1% of Rate Vo.																			
4. Iout resistor programming	---	0 ~100%, 0 ~5/10kohm full scale, user selectable. Accuracy & Linearity +/-1% of Rate Io.																			
5. On/Off control (rear panel)	---	By voltage: 0.6V = Disable, 2-15V = enable (default) or dry contact, user selectable logic																			
6. Output current monitor	---	0 ~5V or 0 ~10V, accuracy 1%, user selectable																			
7. Output voltage monitor	---	0 ~5V or 0 ~10V, accuracy 1%, user selectable																			
8. Power supply OK signal	---	Yes. TTL high-OK, 0V (500ohm impedance)-Fail																			
9. Parallel operation	---	Up to Four (4) identical units may be connected in Master/Slave Mode with 'Single' wire connection. In Advance parallel feature, the current of Master Unit, multiplied by number of units connected in parallel, is made available on digital interface and displayed on front panel of Master unit. Remote analog current monitor of the Master is scaled to output current of the Master unit (only).																			
10. Series operation	---	Possible (with external diodes), up to identical 2 units with total output not to exceed +/-600V from chassis ground.																			
11. CV/CC signal	---	CV: TTL high (4 ~5V) source: 10mA, CC: TTL low (0 ~4V): 10mA																			
12. Enable/Disable	---	Dry contact. Open: off, Short on. Max. voltage at Enable/Disable Contacts 6V																			
13. Remote/Local selection	---	Selects Remote or Local operation by elect. Voltage: 0 ~0.6V/2 ~15V, <0.6V = Local 2-15V = Remote.																			
14. Remote/Local signal	---	Signal operating mode in use.																			

2.7. FRONT PANEL

1. Control functions	---	Vout/ Iout manual adjust by separate encoders.	
	---	OVP/UVL manual adjust by Volt. Adjust encoder.	
	---	Address selection by Voltage adjust encoder. No of addresses: 31	
	---	Go to Local	
	---	Output On/Off	
	---	AC On/Off	
	---	Foldback control (CV to CC)	
	---	RS232/485 and IEEE488.2 selection by IEEE or LAN enable switch and DIP switch	
	---	Baud rate selection by Current adjust encoder.	
	---	Re-start modes (auto, safe)	
2. Display	---	Vout:	4 digits, accuracy: 0.5% of rated Vout+/-1count, Green LED's, Size:10mm
	---	Iout:	4 digits, accuracy: 0.5% of rated Iout+/-1count, Green LED's, Size:10mm
		Voltmeter is user selectable to read either local voltage (at power supply) or remote voltage (at the load).	
3. Indications	---	ADDR, OVP/UVL, V/A, FOLD, REM/LOCAL, OUT ON/OFF, LFP/UFP, IEEE, LAN, Hx (Parallel Master) or S (Slave). CC/CV: GREEN LED's. ALRM (OVP, OTP, FOLD, AC FAIL): RED LED	

2.8. SOFTWARE SPEC.

1. Functions:		1. Voltage/current setting
		2. OVP/UVL setting
		3. Actual voltage/current setting readback
		4. Voltage/current setting readback
		5. OVP/UVL setting readback
		6. Output On/Off
		7. Foldback protection setting
		8. Status readback (cc/cv, ovp, otp, foldback, ac fault)
		9. Model identification readback
		10. Self test.
		11. Calibration (not user access.) (DAC-Zero and max points, Display-Zero and max.)
		12. Last setting recall (at power off).
		13. Re-start mode setting
		14. Front Panel Lock/Unlock
2. Application software:		1. Drivers to LabView and LabWindows
		2. Simple operating program

2.9. DIGITAL PROGRAMMING AND READBACK

1. Vout programming accuracy	---	+/-0.5% of rated output voltage
2. Iout programming accuracy	---	+/-0.5% of rated output current for units with Io <187.5 +/-0.7% of rated output current for Io <187.5
3. Vout programming resolution	---	0.02% of full scale (To be confirmed)
4. Iout programming resolution	---	0.04% of full scale (To be confirmed)
5. Vout readback accuracy	---	0.1% + 0.2% of rated output voltage Accuracy same as IEEE Programming Accuracy
6. Iout readback accuracy	---	0.1% + 0.4% of rated output current Accuracy same as IEEE Programming Accuracy
7. Vout readback resolution	---	0.02% of full scale
8. Iout readback resolution	---	0.02% of full scale
OV Response Time	mS	20mS maximum between output V exceeding IEEE limit and supply inhibit turning on
Other Functions		Set Over-Voltage Limit, Set Local/Remote
		Operating parameters and status available for display via host computer.

2.10. MECHANICAL CONSTRUCTION

	V	7.5	10	12.5	20	25	30	40	50	60	80	100	125	150	200	250	300	400	500	600	
1. Cooling	---	Fan driven, Airflow from Front to Rear. Supplemental vents on side that shall not be blocked. EIA Rack mounting, stackable. "Zero Stackable" top and bottom. Slides or suitable rear support required.																			
2. Weight	Kg/Lb	43/97																			
3. Dimensions	---	H: 3U, W: 19" Rack, See 02530000 for outline drawing.																			
4. Types of connectors	---	1) Input: Threaded Studs and terminal cover. Strain relief option. 2) Output: Iout =>.50A: bus-bars, Iout<37.5 a threaded stud terminal. 3) Analog programming: DB25, plastic connector, AMP, 747461-5, Female on Power Supply, Male on Mating connector 747321. Standard 25 pin D connector. 4) RS232/RS485, STD Phone Jack connector 5) Isolated analog option: refer to Isolated Analog option spec. 08030200 6) IEMD Option, refer to IEMD Option Spec. 08030100.																			
5. Front panel material & finish	---	RAL7035 Textured finish.																			
6. Mounting method	---	Standard 19" Rack Mount, provision for standard slides. Side/Rear Support is required; do not mount by F/P only.																			
7. Mounting positions	---	Horizontal																			
8. Output ground connection	---	M5 Stud																			
9. Color and finish	---	Chassis Top/Sides/Bottom Clear zinc plating. Front Panel RAL 7035 painted																			
10. Output Terminal covers	---	Standard for all models with bus-bars. Closed connection for models with output connector.																			

2.11. ENVIRONMENTAL CONDITIONS

1. Operating temp	C	0 ~50C, 100% load. No operation > 50C
2. Start up temp.	C	0
3. Storage temp	C	-20C to +70C
4. Operating humidity	%	20~80% RH Non-condensing
5. Storage humidity	%	10~90% RH Non-condensing
6. Altitude	---	Operating: 50°C up to 7500 ft., (2500m) 45°C from 7501 to 10,000ft (2501m – 3000m) Non Operating 40,000 ft (12,000m)
7. Vibration & Shock (208/400VAC)	G	ASTM D4169, Standard Practice for performance Testing of Shipping Containers and Systems, Shipping Unit: Single Package Assurance Level: Level II; Acceptance Criteria: Criterion 1 – No product damage, Criterion 2 – Package is intact Distribution Cycle: Cy Air (intercity) and motor freight (local, single package up to 100lbs.) (NOTE: for packages over 100 lbs, distribution cycle 12 – Air (intercity) and motor freight (local), unitized is used)
8. Audible Noise	db	65dBA at Full Load, measured 1m from Front Panel

2.12. EMC

2.12.1. 208 Volts Input Models

		CE Mark
1. ESD	---	EN61000-4-2 (IEC 801-2) Air-disch. +/-8kV, contact disch. +/-4kV
2. Fast transients	---	EN61000-4-4 (IEC 1000-4-3)
3. Surge immunity	---	EN61000-4-5 (IEC 1000-4-5)
4. Conducted immunity	---	EN61000-4-6 (IEC 1000-4-6)
5. Radiated immunity	---	EN61000-4-3 (IEC 1000-4-3)
6. Power Frequency Magnetic Field	---	EN61000-4-8
7. Conducted emission	---	EN55011A, FCC part 15J-A
8. Radiated emission	---	EN55011A, FCC part 15J-A

2.12.2. 400 Volts Input Models

		CE Mark
1. ESD	---	EN61000-4-2 (IEC 801-2) Air-disch. +/-8kV, contact disch. +/-4kV
2. Fast transients	---	EN61000-4-4 (IEC 1000-4-3)
3. Surge immunity	---	EN61000-4-5 (IEC 1000-4-5)
4. Conducted immunity	---	EN61000-4-6 (IEC 1000-4-6)
5. Radiated immunity	---	EN61000-4-3 (IEC 1000-4-3)
6. Power Frequency Magnetic Field	---	EN61000-4-8
7. Voltage Dips, Short Interruptions and Voltage Variations Immunity Tests (400VAC Input Only)	---	IEC 61000-4-11
8. Conducted emission	---	EN55011A, FCC part 15J-A
9. Radiated emission	---	EN55011A, FCC part 15J-A

2.13. RELIABILITY SPECS

1. Electrolytic capacitors life	Yrs.	More than 3yrs at 40C ambient, 100% load
2. Grade	---	G-2, Lambda Group derating criteria & EIAJ RCR-9102A count Reliability, Generic Failure rates, 25C
4. Warranty	Yrs.	5 years
5. Shelf life	Yrs.	5 years, electrolytic caps shall be reformed after 2 years

2.14. SAFETY

1. Applicable Standards	---	UL/ULC 60950-1, EN60950-1 recognized. All Outputs are Hazardous. (Units with IEMD or ISOL option are Recognized up to 400 volts output). CE Mark 208 & 400VAC input only (CB Scheme) Vout<40V: Output is SELV, IEEE/Isolated analog are SELV. 40<Vout<400V: Output is hazardous, IEEE/Isolated analog are SELV. 400<Vout<600V: Output is hazardous, IEEE/Isolated analog are not SELV.
2. Withstand voltage	---	Vout<=60V models: Input-Ground: 2818VDC 1 min, Input-Outputs (SELV): 4242VDC 1 min, Output - Ground: 1000VDC 1 min. 60<Vout<=300V models: Input-Ground: 2828VDC 1 min, Input-Haz. Output: 3535VDC 1 min, Input-SELV: 2828VDC 1 min. Hazardous Output-SELV: 2121VDC 1 min, Hazardous Output-Ground: 2121VDC 1 min. 300<Vout<=600V models: Input-Ground: 2828VDC 1 min, Input-Haz. Output: 3535 1 min, Input-SELV: 2828VDC 1 min. Hazardous Output-SELV: 2688VDC 1 min, Hazardous Output-Ground: 2688VDC 1 min.
3. Insulation resistance	---	100Mohm at 500Vdc

2.15. J1 CONNECTOR

J1-1		ENA_IN	Enable/Disable Dry Contact with J1-14
J1-2		IF_COM	Isolated Interface Common. Return for SO, PS_OK
J1-3		IF_COM	Isolated Interface Common. Return for SO, PS_OK
J1-4		N/C	
J1-5		N/C	
J1-6		N/C	
J1-7		N/C	
J1-8		LOC/REM	Input for selecting between Local or Remote analog programming.
J1-9		VPGM	Input for remote analog voltage/resistance programming of the Output Voltage
J1-10		IPGM	Input for remote analog voltage/resistance programming of the Output Current
J1-11		VMON	Output Voltage Monitor
J1-12		COM	Control Common for VMON & IMON
J1-13		CV/CC	Output for Constant Voltage / Constant Current mode indication
J1-14		ENA_OUT	Enable/Disable Dry Contact with J1-1
J1-15		SO	Input for Shut-Off control of the output.
J1-16		PS_OK	Output for indication of the power supply status
J1-17		N/C	
J1-18		N/C	
J1-19		N/C	
J1-20		N/C	
J1-21		LOC/REM Signal	Output for indicating if the unit is in Local or Remote analog programming mode.
J1-22		VPGM_RTN	Return for VPGM J1-9; connected to Neg Output
J1-23		IPGM_RTN	Return for IPGM J1-10; connected to Neg Output
J1-24		IMON	Output for Current Monitor
J1-25		P	Output for Current Balance in Parallel Operation (One wire – Reference to Negative Output)

3. INSTALLATION

3.1. General

This Chapter contains instructions for initial inspection, preparation for use and repackaging for shipment. Connection to PC, setting the communication port and linking Genesys™ power supplies are described in Chapter 8.

NOTE

Genesys™ power supplies generate magnetic fields, which might affect the operation of other instruments. If your equipment is susceptible to magnetic fields, do not position it adjacent to the power supply.

3.2. Preparation for Use

In order to be operational the power supply must be connected to an appropriate AC source. The AC source voltage should be within the power supply specification. Do not apply power before reading Section 3.6 and 3.7.

Table 3-1 below, describes the basic setup procedure. Follow the instructions in Table 3-1 in the sequence given to prepare the power supply for use.

Step no.	Item	Description	Reference
1	Inspection	Initial physical inspection of the power supply	Section 3.3
2	Installation	Installing the power supply, Ensuring adequate ventilation.	Section 3.4 Section 3.5
3	AC source	AC source requirements Connecting the power supply to the AC source	Section 3.6 Section 3.7
4	Test	Turn-on checkout procedure.	Section 3.8
5	Load connection	Wire size selection. Local/Remote sensing. Single or multiple loads.	Section 3.9
6	Default setting	The power supply setting at shipment.	Section 3.9.4, 4.3.1, 8.2.4

Table 3-1: Basic Setup Procedure

3.3. Initial Inspections

Prior to shipment this power supply was inspected and found free of mechanical or electrical defects. Upon unpacking of the power supply, inspect for any damage, which may have occurred in transit.

The inspection should confirm that there is no exterior damage to the power supply such as broken knobs or connectors and that the front panel and meters face are not scratched or cracked. Keep all packing material until the inspection has been completed. If damage is detected, file a claim with carrier immediately and notify the TDK-Lambda Americas Inc. sales or authorized service facility nearest you.

3.4. Rack Mounting

The Genesys™ power supply series is designed to fit in a standard 19" equipment rack.

3.4.1. To Install the Power Supply in a Rack:

- 3.4.1.1. Use the front panel rack-mount brackets to install the power supply in the rack.
- 3.4.1.2. Use a support bar to provide adequate support for the rear of the power supply. Do not obstruct the air exhaust at the rear panel of the unit.

3.5. Location, Mounting and Cooling

This power supply is fan cooled. The air intake is at the front panel and the exhaust is at the rear panel. Upon installation allow cooling air to reach the front panel ventilation inlets. Unrestricted air space at the front and the rear of the unit is necessary for proper cooling of power supply.

3.6. AC Source Requirements

The Genesys™ series can be operated from a nominal 208V, 400V or 480V three phase, 4 wire, 47–63 Hz. The input voltage range and current required for each model is specified in Chapter 2. Ensure that under heavy load, the AC voltage supplied to the power supply does not fall below the specifications described in Chapter 2.

3.7. AC Input Power Connection

CAUTION

Connection of this power supply to an AC power source should be made by an electrician or other qualified personnel. Do not exceed the torque specified on input stud terminals.



WARNING

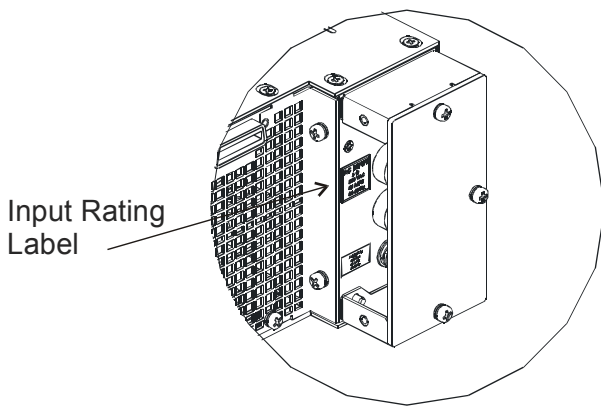
There is a potential shock hazard if the power supply chassis (with cover in place) is not connected to an electrical safety ground via the safety ground in the AC input stud terminals.



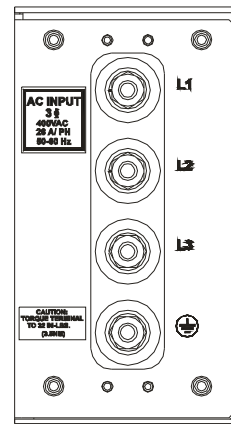
WARNING

Some components inside the power supply are at AC/DC voltage even when the On/Off switch is in the "Off" position. To avoid electric shock hazard, disconnect the line and load and wait 15 minutes before removing cover.

The customer's AC line connects to the power supply through four stud type terminals. Only use a power cable with the correct voltage and current ratings. The recommended wire gauge is listed in the table in section 3.7.1. The ground wire must be equal to or larger than the recommended gauge for phase. The power supply must be permanently connected to an approved AC distribution box with suitably rated over current protection (60Amp UL Listed fuse for 208V input, and 40 Amp UL listed fuse for 400/480 input).



Input Terminal Block



Input Terminal Block with cover.

NOTE: The figure shows input connection from left side. For connection from right side reverse the input cover.

Figure 3-1. AC Input Connections

3.7.1. Recommended Cable Size for Input Connection

INPUT VOLTAGE	CURRENT RMS AMPS PER PHASE	RECOMMENDED COPPER WIRE SIZE
208	75	4 AWG
400	45	6 AWG
480	35	7 AWG

The AC input current and voltage rating is marked on the rear terminal of the power supply.



The Protective Earth Ground  must be connected before applying AC Line Power to the power supply.

3.8. Turn-On Checkout Procedure

3.8.1. General

The following procedure ensures that the power supply is operational and may be used as a basic incoming inspection check. Refer to Fig. 4-1 and Fig. 4-2 for the location of the controls indicated in the procedure.

3.8.2. Prior to Operation

- a) Ensure that the power supply is configured to the default setting:
 - On/Off switch at off position.
 - Dip switch: all positions at Down (“Off”) position.
 - Sense connector: configured to Local Sense as shown in Fig.3-2.

- 1 Remote (+) sense
- 2 Local (+) sense
- 3 Not connected
- 4 Local (-) sense
- 5 Remote (-) sense

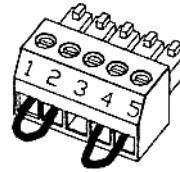


Figure 3-2: sense connector default connection

- For units equipped with IEEE option, ensure that the IEEE_En switch is in the Up (default) position (Refer to Fig. 4-2, Item 9 for location), if checkout is to be done in IEEE mode.
- b) Connect the unit to an AC source as described in Section 3.7.
- c) Connect a DVM with appropriate cables for the rated voltage to the output terminals.
- d) Turn the front panel ON/OFF switch to ON.

3.8.3. Constant Voltage Check

- a) Turn on the output by pressing OUT pushbutton so the OUT LED illuminates.
- b) Observe the power supply VOLT display and rotate the Voltage encoder. Ensure that the output voltage varies while the VOLT encoder is rotated. The minimum control range is from zero to the maximum rated output for the power supply model.
- c) Compare the DVM reading with the front panel VOLT display to verify the accuracy of the VOLT display. Ensure that the front panel VOLT LED is on.
- d) Turn off the front panel AC power switch.

3.8.4. Constant Current Check

- a) Ensure that the front panel switch is at Off position and the DVM connected to the output terminals shows zero voltage.
- b) Connect a DC shunt across the output terminals. Ensure that the shunt and the wires current ratings are higher than the power supply rating. Connect a DVM to the shunt.
- c) Turn the front panel switch to On position,
- d) Turn on the output by pressing OUT pushbutton so the OUT LED illuminates.
- e) Observe the power supply CURRENT display and rotate the CURRENT encoder. Ensure that the output current varies while the CURRENT encoder is rotated. The minimum control range is from zero to the maximum rated output for the power supply model.
Compare the DVM reading with the front panel CURRENT display to verify the accuracy of the CURRENT display. Ensure that the front panel CURRENT LED is on.
- f) Turn off the front panel ON/OFF switch.
- g) Remove the shunt from the power supply output terminals.

3.8.5. OVP Check

Refer to Section 5.3 for explanation of the OVP function prior to performing the procedure below.

- a) Turn the front panel AC power switch to On position and turn on the output by pressing OUT pushbutton.
- b) Using the VOLT encoder, adjust the output voltage to approx. 10% of the voltage rating.
- c) Momentarily press the OVP/UVL button so that the CURRENT display shows “OUP”. The VOLTAGE display will show the last setting of the OVP level.
- d) Rotate the VOLT encoder CCW to adjust the OVP setting to 50% of the unit voltage rating.


- e) Wait a few seconds until the VOLT display returns to show the output voltage.
- f) Adjust the output voltage toward its maximum and check that the output voltage cannot be increased more than the OVP + 1.05 setting.
- g) Adjust OVP limit to the maximum by repeating Step C and rotating the VOLT encoder C.W.

3.8.6. UVL Check

Refer to Section 5.4 for explanation of the UVL function prior to performing the procedure below.

- a) Press the OVP/UVL button TWICE so that the CURRENT display shows “UUL”. The VOLTAGE display will show the last setting of the UVL level.
- b) Rotate the VOLT encoder to adjust the UVL level to approx. 10% of the unit voltage rating.
- c) Wait a few seconds until the VOLT display returns to show the output voltage.
- d) Adjust the output voltage toward its minimum and check that the output voltage cannot be decreased below the UVL x 1.05 setting.
- e) Adjust the UVL limit to the minimum by repeating Step A and rotating the VOLT encoder CCW.

3.8.7. Foldback Check

	<p>WARNING</p> <p>Shorting the output may expose the user to hazardous voltages. Observe proper safety procedures.</p>
---	---

Refer to Section 5.5 for explanation of the FOLD function prior to performing the procedure below.

- a) Ensure that the output voltage is set to approx. 10% of the unit rating.
- b) Adjust the CURRENT encoder to set the current limit to approx. 10% of the unit rating.
- c) Momentarily press the FOLD button. Ensure that the FOLD LED illuminates. The output voltage remains unchanged.
- d) Short the output terminals momentarily (approx. 0.5 sec.). Ensure that the output voltage falls to zero, the VOLT display shows “Fb” and the ALARM LED blinks.
- e) Press the FOLD button again to cancel the protection. The output voltage remains zero.
- f) Press OUT button. Ensure that the output voltage returns to its last setting.
- g) Turn the output off by pressing the OUT button. The VOLT display shows “OFF”.


3.8.8. Address Setting

- a) Press and hold the REM/LOC button for approx. 3 sec. The VOLT display will show the communication port address.
- b) Using the VOLT adjust encoder; the address can be set within the range of 0 to 30.

3.8.9. Baud Rate Setting (RS-232 and RS-485 only)

- a) Press and hold the REM/LOC button for approx. 3 sec. The CURRENT display will show the communication port Baud Rate.
- b) Using The CURRENT adjust encoder, the Baud Rate can be set to 1200, 2400, 4800, 9600 or 19200.

3.9. Connecting the Load

	WARNING Turn Off the AC input power before making or changing any rear panel connection. Ensure all live circuits are discharged and that all connections are securely tightened before applying power. There is a potential shock hazard when using a power supply with a rated output greater than 40V.
---	---

The load cables between the power supply outputs and the load must be a specified. The cable connections must be secured to required torque spec. Failure to meet these requirements could cause substantial voltage losses, terminal over-heating, and insulation degradation.

The output styles vary depending o the output voltage range.

Platform A & B (Output Voltage Range 7.5V-80V & 100V-300V).

- Vertical Bus Bar Configuration,
- 0.422 in. mtg. Hole,
- Use 3/8 in dia. Bolt.

Platform C (Output Range 400V- 600V)

- Stud configuration
- M6 x1.0 nut/washer size

The output connections are protected with a metal cover. To connect cables, remove the cover. Connect the proper size cables with nuts and bolts.

Proper torque (as per bolt size) should be applied to the bolts.

Typical cable sizes for load connections are shown below. Use cables that meet requirements for current, voltage, length, temperature and termination.

CURRENT (Amps) I_o	RECOMMENDED COPPER WIRE SIZE
$I_o \leq 50$	6 AWG.
$50 < I_o \leq 100$	0 AWG.
$100 < I_o \leq 187.5$	1 x 0000 AWG.
$187.5 < I_o \leq 333$	2 x 0000 AWG.
$333 < I_o \leq 700$	3 x 0000 AWG.
$700 < I_o \leq 1000$	4 x 0000 AWG.

Table 3-2: Recommended Cable Size for Output Connection

3.9.1. Wire Termination

The wires should be properly terminated with terminals securely attached. DO NOT use un-terminated wires for load connection at the power supply.

CAUTION Be careful when connecting the remote sense lines to the far end of the load cables. Reversing the sense line polarity to the load, or leaving the +S or -S sense lines opened, could damage the power supply. See Section 3.10.3 for more information.
--

3.9.2. Noise and Impedance Effects

To minimize the noise pickup or radiation, the load wires and remote sense wires should be twisted pairs to the shortest possible length. Shielding of sense leads may be necessary in high noise environments. Where shielding is used, connect the shield to the chassis via a rear panel Ground screw. Even if noise is not a concern, the load and remote sense wires should be twisted-pairs to reduce coupling, which might impact the stability of power supply. The sense leads should be separated from the power leads.

Twisting the load wires reduces the parasitic inductance of the cable, which could produce high frequency voltage spikes at the load and the output of power supply, because of current variation in the load itself.

The impedance introduced between the power supply output and the load could make the ripple and noise at the load worse than the noise at the power supply rear panel output. Additional filtering with bypass capacitors at the load terminals may be required to bypass the high frequency load current.

3.9.3. Inductive Loads

Inductive loads can produce voltage spikes that may be harmful to the power supply. A diode should be connected across the output. The diode voltage and current rating should be greater than the power supply maximum output voltage and current rating. Connect the cathode to the positive output and the anode to the negative output of the power supply.

Where positive load transients such as back EMF from a motor may occur, connect a surge suppressor across the output to protect the power supply. The breakdown voltage rating of the suppressor must be approximately 10% higher than the maximum output voltage of the power supply.

3.9.4. Connecting Single Loads, Local Sensing (Default).

Fig.3-10 shows recommended load and sensing connections for a single load. The local sense lines shown are default connections at the rear panel J2 sense connector. Local sensing is suitable for applications where load regulation is less critical.

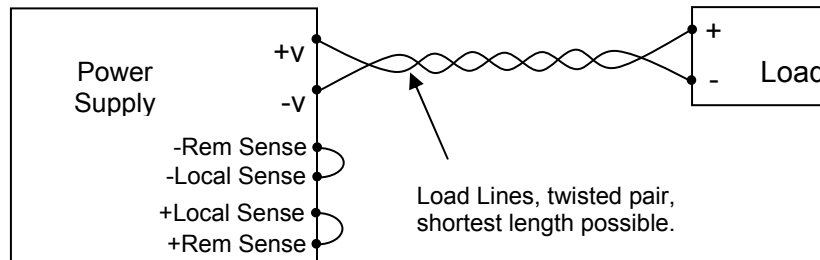


Fig. 3-3: Single load connection, local sensing

3.9.5. Connecting Single Loads, Remote Sensing

Fig.3-4 shows recommended remote sensing connection for single loads. Remote sensing is used when, in Constant Voltage mode, the load regulation is important at the load terminals. Use twisted or shielded wires to minimize noise pick-up. If shielded wires are used, the shield should be connected to the ground at one point, either at the power supply chassis or the load ground. The optimal point for the shield ground should be determined by experimentation.

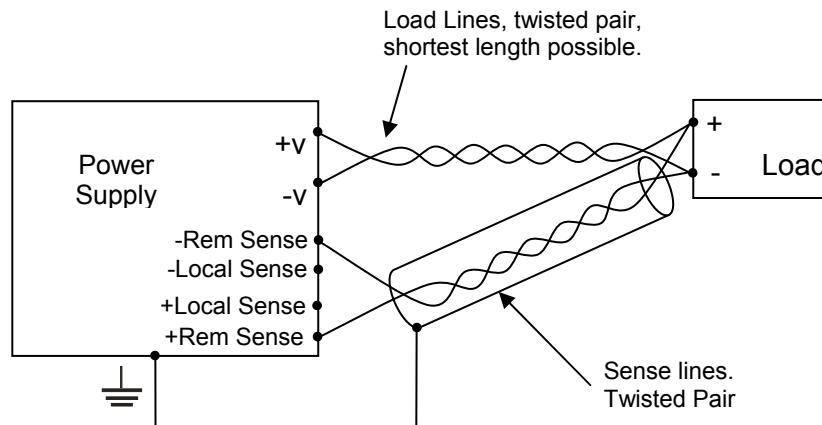


Fig. 3-4: Remote sensing, single load

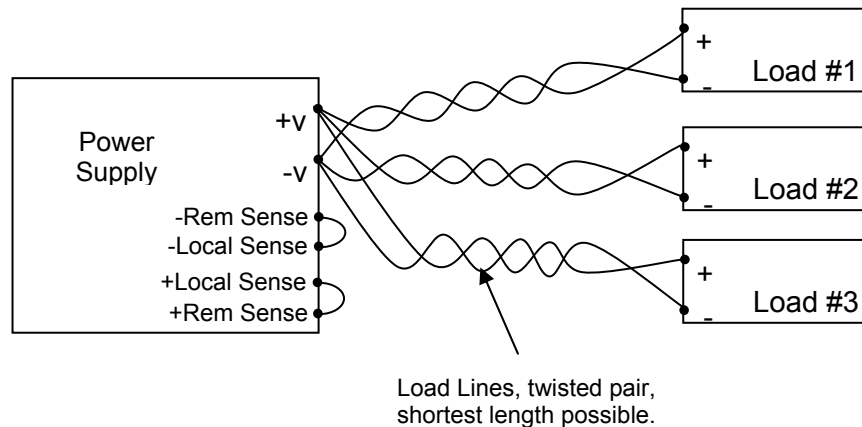


Fig. 3-5: Multiple loads connection, radial distribution, local sense

3.9.6. Multiple Load Connection with Distribution Terminals

If remotely located output distribution terminals are used, the power supply output terminals should be connected to the distribution terminals by pair of twisted and/or shielded wires. Each load should be separately connected to the remote distribution terminals (see Fig.3-6).

If remote sensing is required, the sensing wires should be connected to the distribution terminals or at the most critical load.

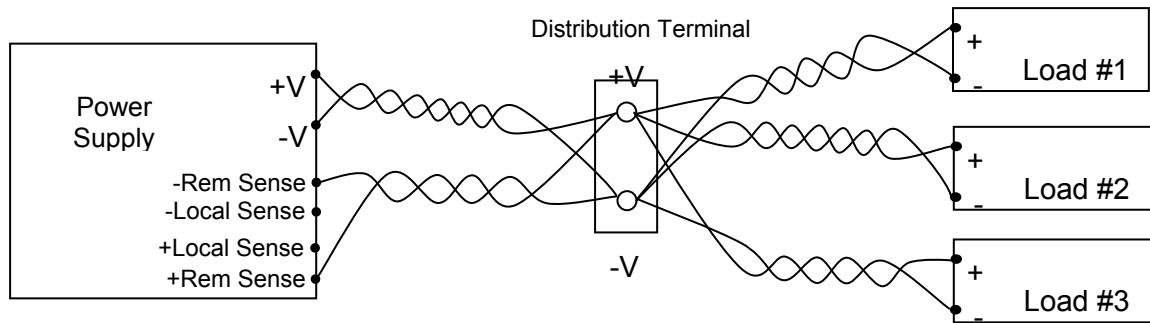



Fig. 3-6: Multiple loads connection with distribution terminal

WARNING	
	There is a potential shock hazard at the sense connector when using a power supply with a rated output voltage greater than 40V. Local sense and remote sense wires should have a minimum insulation rating equivalent or greater than the maximum output voltage of the power supply. Ensure that the connections at the load end are shielded to prevent accidental contact with hazardous voltages.

3.9.7. Grounding Outputs

Either the positive or negative output terminals can be grounded. To avoid noise problems caused by common-mode current flowing from the load to ground, it is recommended to ground the output terminal as close as possible to the power supply chassis ground.

Always use two wires to connect the load to the power supply regardless of how the system is grounded.

3.10. Local and Remote Sensing

The rear panel J2 sense connector is used to configure the power supply for local or remote sensing of the output voltage. Refer to Fig.3-7 for sense connector location.

3.10.1. Sense Wiring

3.10.2. Local Sensing

The power supply is shipped with the rear panel J2 sense connector wired for local sensing of the output voltage. See Table 3-4 for J2 terminals assignment. With local sensing, the output voltage regulation is made at the output terminals. This method does not compensate for voltage drop on the load wires, therefore it is recommended only for low load current applications or where the load regulation is less critical.

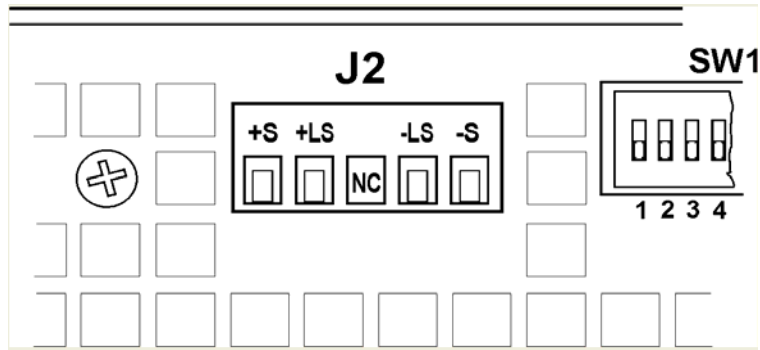


Fig. 3-7: Sense Connector Location

Terminal	Function
J2-1	Remote positive sense (+S)
J2-2	Local positive sense. Connected internally to the positive output terminal (+LS).
J2-3	Not connected (NC)
J2-4	Local negative sense. Connected internally to the negative output terminal (-LS).
J2-5	Remote negative sense (-S).

Table 3-3: J2 Terminals

3.10.3. Remote Sensing



WARNING

There is a potential shock hazard at the sense point when using power supply with a rated output voltage greater than 40V. Ensure that the connections at the load end are shielded to prevent accidental contact with hazardous voltages.

CAUTION

When using shielded sense wires, ground the shield in one place only. The location can be the power supply chassis or one of the output terminals

Use remote sense where the load regulation at the load end is critical. In remote sense, the power supply will compensate for voltage drop on the load wires. Refer to the power supply specifications for the maximum voltage drop on load wires. The voltage drop is subtracted from the total voltage available at the output. Follow the instructions below to configure the power supply for remote sensing:

- a) Ensure that the AC On/Off is in the Off position.
- b) Remove the local sense jumpers from J2.
- c) Connect the negative sense lead to terminal J2-5 (S) and the positive sense lead to terminal J2-1(+S) of the J2 mating connector. Ensure that the J2 mating connector is plugged securely into the rear panel sense connector, J2.
- d) Turn On the power supply.

NOTES:

1. *If the power supply is operating in remote sense and either the positive or negative load wire is not connected, an internal protection circuit will activate and shut down the power supply. To resume operation, turn to the Off position, connect the open load wire, and turn On the power supply.*
2. *If the power supply is operated without the remote sense lines or local sense jumpers, it will continue to work, but the output voltage regulation will be degraded. Also, the OVP circuit may activate and shut down the power supply.*

3.10.4. J2 Sense Connector Technical Information

- J2 connector type: MC 1.5/5-G-3.81, Phoenix.
- Plug type: MC 1.5/5-ST-3.81, Phoenix.
- Wire AWG; 28 up to 16.
- Stripping length: 7mm (0.28 inches).
- Tightening torque: 0.22-0.25Nm (1.95-2.21Lb-Inch.)

3.11. Repackaging for Shipment

To ensure safe transportation of the instrument, contact the TDK-Lambda Americas Inc. sales or service facility near you for Return Authorization and shipping information. Please attach a tag to the power supply describing the problem and specifying the owner, model number and serial number of the power supply. Refer to Warranty Information for further instructions.

4. FRONT AND REAR PANEL CONTROLS AND CONNECTORS

4.1. Introduction

The Genesys™ Power Supply series has a full set of controls, indicators and connectors that allow the user to easily setup and operate the unit. Before starting to operate the unit, please read the following sections for explanation of the functions of the controls and connectors terminals.

4.2. Front Panel Controls and Indicators

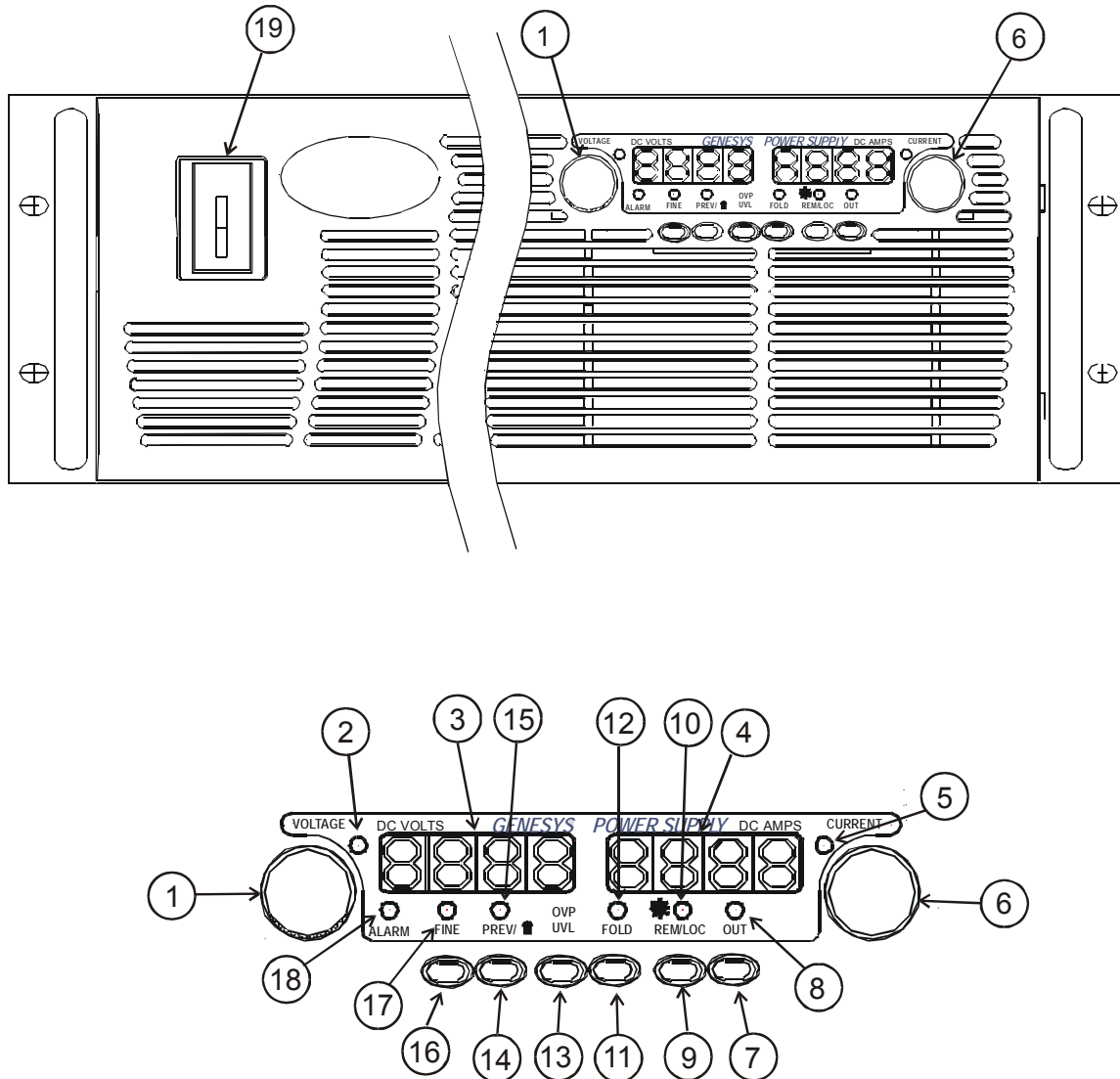


Fig. 4-1: Front Panel Controls and Indicators.

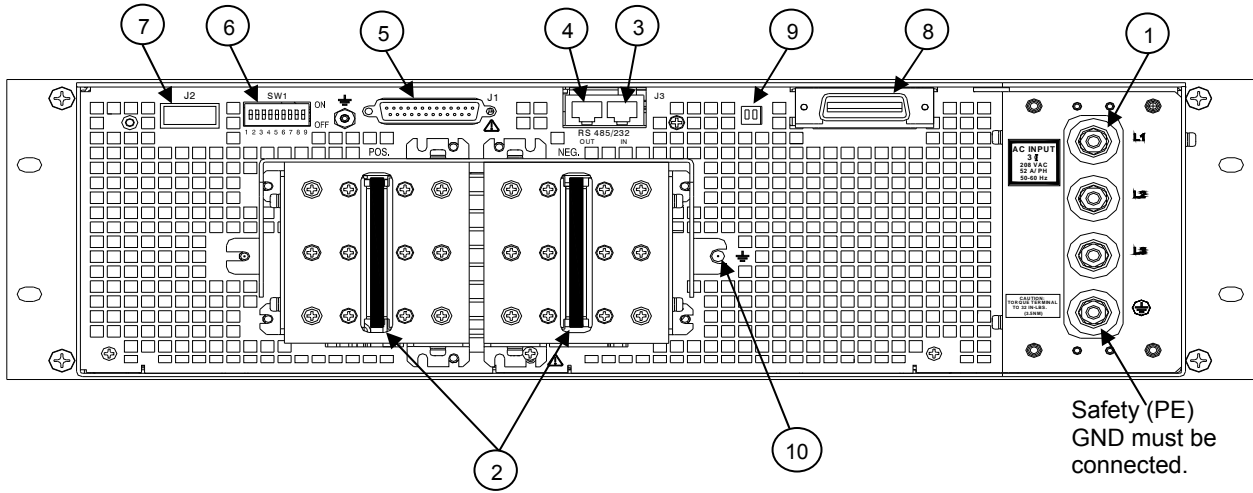
Table 4-1: Front Panel Controls and Indicators

Number	Control/Indicator	Description	Section
1	VOLTAGE control	High resolution rotary encoder for adjusting the Output Voltage. Also adjusts the OVP/UVL levels and selects the Address	5.2.1 5.3.1 5.4.1 8.2.2
2	VOLTAGE indicator	Green LED, lights for constant-Voltage mode operation.	
3	VOLTAGE display	4 digit, 7-segment LED display. Normally displays the output voltage. When the PREV button is pressed, the display indicates the programmed setting of the output voltage. When the OVP/UVL button is pressed, the Voltage display indicates the OVP/UVL setting.	
4	CURRENT display	4 digit, 7 segment LED display. Normally displays the output current. When the PREV button is pressed, the display indicates the programmed setting of output current.	
5	CURRENT indicator	Green LED, lights for Constant-Current mode operation	
6	CURRENT control	High resolution rotary encoder for adjusting the Output Current. Also selects the Baud-Rate of the communication port.	5.2.2 8.2.4
7	OUT button	Main function: Output ON/OFF control. Press OUT to set the output On or Off. Press to reset and turn On the output after OVP or FOLD alarm events have occurred. Auxiliary function: Selects between “Safe-Start” and “Auto-Restart” modes. Press and hold OUT button to toggle between “Safe-Start” and “Auto-Restart”. The VOLT display will cycle between “SAF” and “AUT”. Releasing the OUT button while one of the modes is displayed, selects that mode.	5.6 5.11
8	OUT indicator	Green LED, lights when the DC output is enabled.	
9	REM/LOC button	Main function: Go to local. Press REM/LOC to put the unit into Local (REM/LOC button is disabled at Local Lockout mode). Auxiliary function: Address and Baud Rate setting. Press and hold REM/LOC for 3 sec. to set the Address with the VOLTAGE encoder and the Baud Rate with the CURRENT encoder.	8.2.5 8.2.2 8.2.4
10	REM/LOC indicator	Green LED, lights when the unit is in Remote mode.	
11	FOLD button	Foldback protection control. -Press FOLD to set Foldback protection to On. -To release Foldback alarm even, press OUT to enable the output and re-arm the protection. -Press FOLD again to cancel the Foldback protection.	5.5
12	FOLD indicator	Green LED, lights when Foldback protection is On.	

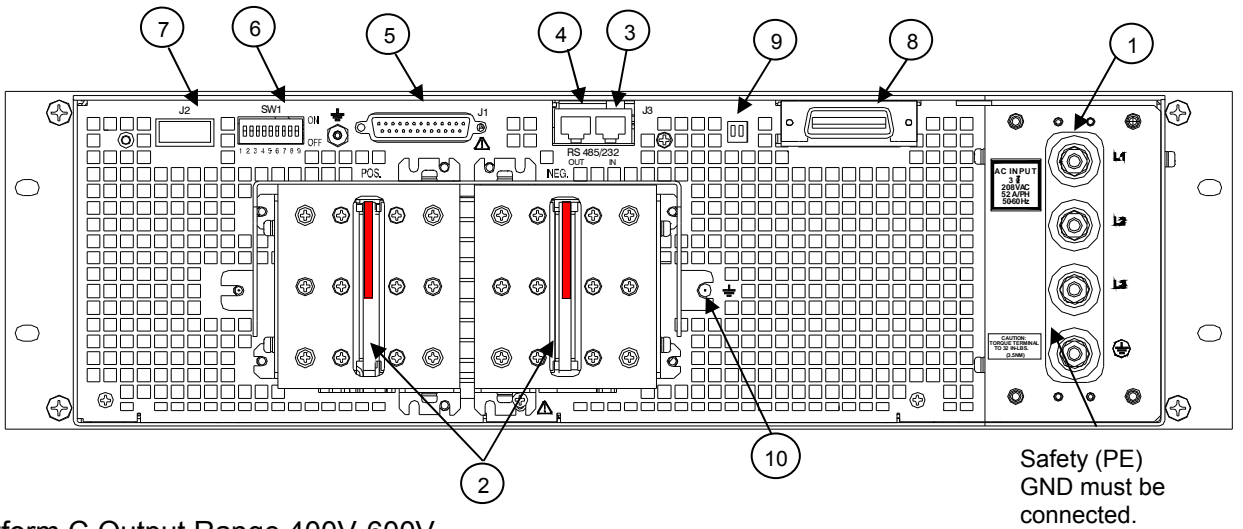
Table 4-1: Front Panel Controls and Indicators (Cont.)

Number	Control/Indicator	Description	Section
13	OVP/UVL button	Over Voltage Protection and Under Voltage limit setting. -Press once to set OVP using VOLTAGE encoder (the current display shows "OUP") -Press again to set the UVL using VOLTAGE encoder (the current display shows "UUL").	5.3 5.4
14	PREV button	Main function: Press PREV to display the output voltage and current limit setting. For 5 sec. the display will show the setting and then it will return to show the actual output voltage and current. Auxiliary function: Front Panel Lock. Press and hold PREV button to toggle between "Locked front panel" and "Unlocked front panel". The display will cycle between "LFP" and "UFP". Releasing the PREV button while one of the modes is displayed selects that mode.	
15	PREV indicator	Green LED, lights when PREV button is pressed	
16	FINE button	Main function: Voltage and Current Fine/Coarse adjustment control. Operates as a toggle switch. In Fine mode, the VOLTAGE and CURRENT encoders operate with high resolution and in Coarse mode with lower resolution (approx. 6 turns). Auxiliary function: Advanced Parallel Operation Mode Setting.	6.4
17	FINE indicator	Green LED, lights when the unit is in Fine mode.	
18	ALARM indicator	Red LED, blinks in case of fault detection. OVP, OTP Foldback, Enable and AC fail detection will cause the ALARM LED to blink.	
19	ON/OFF Switch	ON/OFF Switch	

Platform A Output Range 7.5V-30V



Platform B Output Range 40V-300V



Platform C Output Range 400V-600V

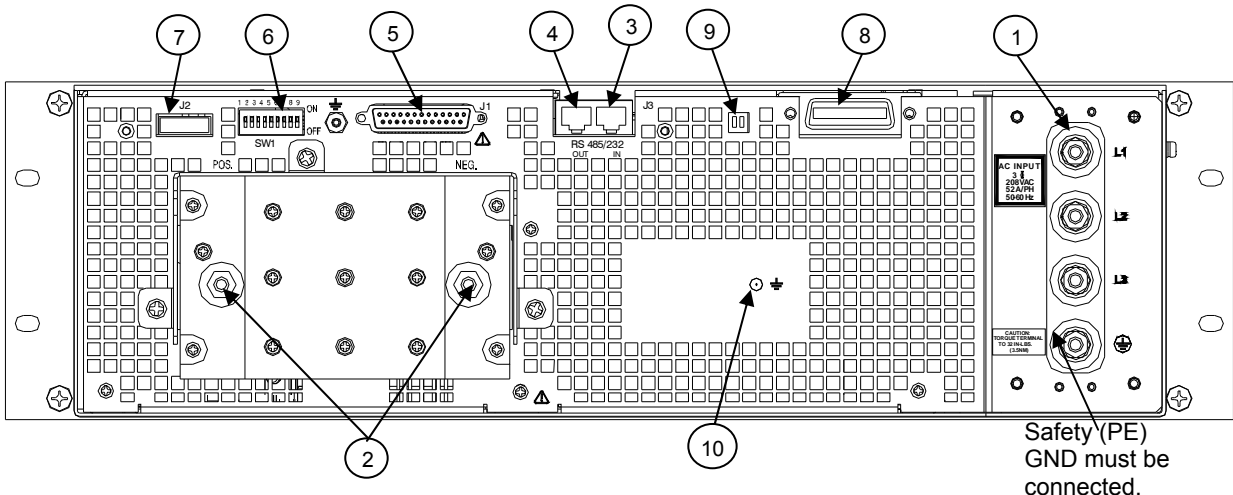


Figure 4-2: Rear Panel Connections and switches

Table 4-2: Rear Panel Connections and Controls

Number	Item	Description	Section
1	AC input connector	M6 Stud terminal suitable for ring lugs.	3.7
2	DC output	Bus-bars up to 300V models. Stud terminals for models above 300V.	Fig. 4.2
3	Remote-In connector	RJ-45 type connector, use for connecting power supplies to RS232 or RS485 port of computer for remote control purposes. When using several power supplies in a power system, the first unit Remote-In is connected to the computer and the remaining units are chained, Remote-In to Remote-Out.	8.3 8.4
4	Remote Out connector	RJ-45 type connector, used for chaining power supplies to form a serial communication bus.	8.3 8.4
5	J1 Analog Remote connector	Connector for remote analog interface. Includes output voltage and current limit programming and monitoring signals, Shut-off control (electrical signal), Enable/Disable control (dry-contact), power supply ok (PS_OK) signal and operation mode (CV/CC) signal.	4.4
6	SW1 Setup switch	Nine position DIP switch for selecting remote programming and monitoring modes for Output Voltage, Current Limit and other control functions.	4.3
7	J2 Remote sense connector	Connector for making remote sensing connections to the load for regulation of the load voltage and compensation of load wire drop.	
8	Blank or Option Plate	Blank sub-plate for standard units. Other plates and connectors for options such as Isolated Analog, IEMD or LAN.	
9	IEEE switch LAN switch	Two position DIP switch for selecting option mode or RS232/485 mode. The options may be IEEE or LAN.	
10	Ground screw	M5x20mm screw for chassis ground connection.	

4.3. Rear Panel SW1 Setup Switch

The SW1 Setup switch (see Fig.4-3) is a 9-position DIP switch that allows the user to choose the following:

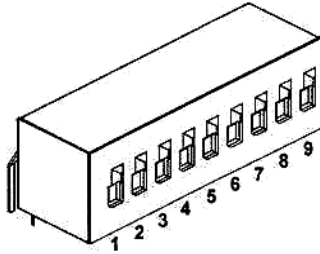


Fig. 4-3: SW1 setup DIP switch

4.3.1. SW1 Position Function

Refer to Table 4-3 for description of SW1 position functions. The factory default setting is Down for all positions. Observe ESD precautions when setting switch positions.

Table 4-3: SW1 Positions Functions

Position	Function	DOWN (Factory default)	UP
SW1-1	Output Voltage remote Analog programming	Output Voltage Programmed by Front Panel	Output Voltage programmed by remote analog voltage
SW1-2	Output Current remote analog programming	Output Current programmed by Front Panel	Output Current programmed by remote analog voltage
SW1-3	Programming range select (Remote voltage/resistive)	0-5V (0-5Kohm)	0-10V (0-10Kohm)
SW1-4	Output Voltage and Current Monitoring Range	0-5V	0-10V
SW1-5	Shut-Off Logic select	Off: Low (0-0.6V) or Short On: High (2-15V) or Open	Off: Low (2-15V) or Open On: High (0-0.6V) or Short
SW1-6	RS232/485 select	RS232 interface	RS485 interface
SW1-7	Output Voltage resistive programming	Output Voltage programmed by Front Panel	Output Voltage programmed by external resistor
SW1-8	Output Current resistive programming	Output Current programmed by Front Panel	Output Current programmed by external resistor
SW1-9	Enable/Disable control	Rear panel Enable/Disable control is not active	Rear panel Enable/Disable control is active

4.3.2. Resetting the SW1 switch

Before making any changes to the SW1 switch setting, disable the power supply output by pressing the front panel OUT button. Ensure that the output voltage falls to zero and OUT LED is off. Then use any small flat-bladed screwdriver to change the SW1 switch setting.

4.4. Rear Panel J1 Programming and Monitoring Connector

The J1 Programming and Monitoring connector is a DB25 subminiature connector located on the power supply rear panel. Refer to Table 4-4 for description of the connector functions. The power supply default configuration is Local operation, which does not require connections to J1. For remote operation using J1 signals use the plug provided with power supply or equivalent type. It is essential to use plastic body plug to conform to Safety Agency requirements. Shielded cable is required to maintain EMC Specification for J1 wires. Connect the shield to a power supply chassis ground screw.

4.4.1. Making J1 Connections

- J1 connector type: AMP, P/N: 747461-3
- J1 plug description: AMP, P/N: 745211-2
- Wire dimension range: AWG26-22
- Extraction tool: AMP, 91232-1 or equivalent.
- Manual Pistol grip tool:
 - Handle: AMP, P/N: 58074-1
 - Head: AMP, P/N: 58063-1

Before making any connection, turn the power switch to the Off position and wait until the front panel display has turned Off.

CAUTION

Connector J1 pins 12, 22 and 23 are connected internally to the negative local sense (-LS) of the power supply. Do not attempt to bias any of these terminals relative to the negative local sense.

Use the Isolated Analog interface option for a remote controller which is at a different potential than the power supply negative output.

To prevent ground loops and to maintain the isolation of the power supply when programming from J1, use an ungrounded programming source.

WARNING



There is a potential shock hazard at the output when using a power supply with rated output greater than 40V. Use wires with minimum insulation rating equivalent to the maximum output voltage of the power supply.

Fig.4-4: J1 connector terminals and functions

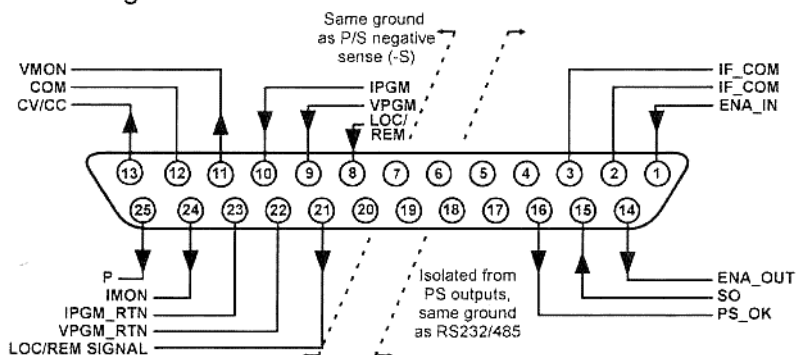


Table 4-4: J1 Connector Terminals and Functions

J1 contact	Signal name	Function	Section
J1-1	ENA_IN	Enable/Disable the power supply output by dry-contact (short/open) with ENA_OUT.	5.8
J1-2 J1-3	IF_COM	Isolated Interface Common. Return for the SO control, PS_OK signal and for the optional IEEE interface.	5.7
J1-4-7	N/C	No Connection	
J1-8	LOCAL/ REMOTE	Input for selecting between Local or Remote analog programming of output voltage and output current.	7.2
J1-9	VPGM	Input for remote analog voltage/resistance programming of the Output Voltage.	7.1-7.4
J1-10	IPGM	Input for remote analog voltage/resistance programming of the Output Current.	7.1-7.4
J1-11	VMON	Output for monitoring the power supply Output Voltage.	7.6
J1-12	COM	Control Common. Return for VMON, IMON, CV/CC, LOC/REM. Connected internally to the negative local sense (-LS).	
J1-13	CV/CC	Output for Constant-Voltage/Constant-Current mode indication.	5.9
J1-14	ENA_OUT	Enable/Disable the power supply output by dry-contact (short/open) with ENA_IN.	5.8
J1-15	SO	Input for Shut-Off control of the power supply output.	5.7
J1-16	PS_OK	Output for indication of the power supply status.	5.10
J1-17-20	N/C	No Connection.	
J1-21	LOC/REM SIGNAL	Output for indicating if the unit is in Local or Remote analog programming mode.	7.3
J1-22	VPGM_RTN	Return for VPGM input. Connected internally to the “-LS”.	7.1 7.4 7.5
J1-23	IPGM_RTN	Return for IPGM input. Connected internally to the “-LS”.	7.1 7.4 7.5
J1-24	IMON	Output for monitoring the power supply Output Current.	7.6
J1-25	P	Output for current balance in parallel operation.	6.2

5. LOCAL OPERATION

5.1. Introduction

This Chapter describes the operating modes that are not involved in programming and monitoring the power supply via its serial communication port (RS232/RS485) or by remote analog signals. Ensure that the REM/LOC LED on the front panel is Off, indicating Local mode. If the REM/LOC LED is On, press the front panel REM/LOC button to change the operating mode to local.

- For information regarding remote analog programming refer to Chapter 7.
- For information regarding usage of the serial communication port refer to Chapter 8.

5.2. Standard Operation

The power supply has two basic operating modes: Constant Voltage Mode and Constant Current Mode. The mode in which the power supply operates at any given time depends on the output voltage setting, output current limit setting and the load resistance.

5.2.1. Constant Voltage Mode

- In constant voltage mode, the power supply regulates the output voltage at the selected value, while the load current varies as required by the load.
- While the power supply operates in constant voltage mode, the VOLTAGE LED on the front panel illuminates.
- Adjustment of the output voltage can be made when the power supply output is enabled (Output On) or disabled (Output Off). When the output is enabled, simply rotate the VOLTAGE encoder knob to program the output voltage. When the output is disabled, press the PREV button and then rotate the VOLTAGE encoder knob. The VOLTAGE meter will show the programmed output voltage for 5 seconds after the adjustment has been completed. Then the VOLTAGE meter will display "OFF".
- Adjustment resolution can be set to coarse or fine resolution. Press FINE button to select between the lower and higher resolution. The FINE LED turns On when the resolution is set to FINE.

NOTE

If after completing the adjustment, the display shows a different value than the setting, the power supply may be at current limit. Check the load condition and the power supply current limit setting.

NOTE

The maximum and minimum setting values of the output voltage are limited by the Over Voltage protection and Under Voltage limit setting. Refer to Sections 5.3 and 5.4 for more details.

5.2.2. Constant Current Operation

- a) In constant current mode, the power supply regulates the output current at the selected value, while the voltage varies with the load requirement.
- b) While the power supply is operating in constant current mode, the CURRENT LED on the front panel illuminates.
- c) Adjustment of the output current can be made when the power supply output is enabled (Output On) or disabled (Output Off).
 - Disabled output (Off): Press PREV button and then rotate the Current encoder knob. The CURRENT meter will show the programmed current for 5 seconds after the adjustment has been completed. Then the VOLTAGE meter will display “OFF”.
 - Enabled output, power supply in Constant Voltage mode: Press the PREV button and then rotate the CURRENT encoder knob. The CURRENT meter will show the programmed current limit for 5 seconds after the adjustment has been completed, and then will return to show the actual load current.
 - Enabled output, power supply in Constant Current mode: Rotate the CURRENT encoder knob to adjust the current limit.
- d) Adjustment resolution can be set to Coarse or Fine adjustment. Press the FINE button to select between the Coarse and Fine resolution. The FINE LED turns On when the resolution is set to FINE.

5.2.3. Automatic Crossover

If the power supply operates in Constant Voltage mode, while the load current is increased to greater than the current limit setting, the power supply will automatically switch to Constant Current mode. If the load is decreased to less than the current limit setting, the power supply will automatically switch back to Constant Voltage mode.

5.3. Over Voltage Protection (OVP)

The OVP circuit protects the load in the event of a remote or local programming error or a power supply failure. The protection circuit monitors the voltage at the power supply sense points and thus providing the protection level at the load. Upon detection of an Over Voltage condition, the power supply output will shut down.

5.3.1. Setting the OVP Level

The OVP can be set when the power supply output is Enabled (On) or Disabled (Off). To set the OVP level, press the OVP/UVL button, so that the CURRENT meter shows “OUP”. The VOLTAGE meter shows the OVP setting level. Rotate the VOLTAGE encoder knob to adjust the OVP level. The display will show “OUP” and the setting value for 5 seconds after the adjustment has been completed and then will return to its previous state.

To preview the OVP setting, press the OVP/UVL pushbutton so that the CURRENT display will show “OUP”. At this time, the VOLTAGE display will show the OVP setting. After 5 seconds, the display will return to its previous state.

5.3.2. Activated OVP Protection Indications

When the OVP is activated the power supply output shuts down. The VOLTAGE display shows “OUP” and the ALARM LED blinks.

5.3.3. Resetting the OVP Circuit

To reset the OVP circuit after it activates:

- a) Reduce the power supply Output Voltage setting below the OVP set level.
- b) Ensure that the load and the sense wiring are connected properly.
- c) There are four methods to reset the OVP circuit.
 - Press OUT button.
 - Turn the power supply Off using the AC On/Off switch, wait until the front panel display turns Off, then turn the power supply On using the AC On/Off switch.
 - Turn the power supply output Off and then On using the SO control (Refer to Section 5.7). In this method the power supply should be set to Auto-Restart mode.
 - Send OUT command via the RS232/485 communication port.

5.4. Under Voltage Limit (UVL)

The UVL prevents adjustment of the output voltage below a certain limit. The combination of UVL and OVP functions, allow the user to create a protection window for sensitive load circuitry.

5.4.1. Setting the UVL Level

Setting the UVL can be made when the power supply output is Enabled (On) or Disabled (Off). To set the UVL level, press the OVP/UVL button TWICE, so that the CURRENT meter shows "UUL". The VOLTAGE meter shows the UVL setting level. Rotate the VOLTAGE encoder knob to adjust the UVL level. The display will show "UUL" and the setting value for 5 seconds after the adjustment has been completed and then will return to its previous state.

UVL setting values are limited at the maximum level to approximately 5% below the Output Voltage setting. Attempting to adjust the UVL above this limit will result in no response to the adjustment attempt. The minimum UVL setting is zero.

5.5. Foldback Protection

Foldback protection will shut down the power supply output if the load current exceeds the current limit setting level. This protection is useful when the load circuitry is sensitive to an over current condition.

5.5.1. Setting the Foldback Protection

To arm the Foldback protection, the FOLD button should be pressed so that the FOLD LED illuminates. In this condition, transition from Constant Voltage to Constant Current mode will activate the Foldback protection. Activation of the Foldback protection disables the power supply output, causes the ALARM LED to blink and displays "Fb" on the VOLTAGE meter.

5.5.2. Resetting Activated Foldback Protection

There are four methods to reset an activated Foldback protection.

- a) Press the OUT button. The power supply output is enabled and the Output Voltage and current will return to their last setting. In this method, the Foldback protection remains armed; therefore if the load current is higher than the current limit setting, the Foldback protection will be activated again.
- b) Press the FOLD button to cancel the Foldback protection. The power supply output will be disabled and the VOLTAGE display will show “OFF”. Press the OUT button to enable the power supply output.
- c) Turn the power supply output Off and then On using the SO control (Refer to Section 5.7). In this method the foldback protection remains armed, therefore if the load current is higher than the current limit setting the Foldback protection will be activated.
- d) Turn the power supply Off using the switch, wait until the front panel display turns Off, then turn the unit back ON again. The power supply output is enabled and the Output Voltage and Current will return to their last setting. In this method, the Foldback protection remains armed; therefore if the load current is higher than the current limit setting, the Foldback protection will be activated again.

5.6. Output ON/OFF Control

The Output On/Off enables or disables the power supply output. Use this function to make adjustments to either the power supply or the load without shutting off the ON/OFF switch. The Output On/Off can be activated from the front panel using the OUT button or from the rear panel J1 connector. The OUT button can be pressed at any time to enable or disable the power supply output. When the output is disabled, the output voltage and current fall to zero and the VOLTAGE display shows “OFF”.

5.7. Output SHUT-OFF (SO) Control via Rear Panel J1 Connector

Contacts 2, 3 and 15 of J1 (Fig.4-2, Item 5) serve as Output Shut-Off (SO) terminals. The SO terminals accept a 2.5V to 15V signal or Open-Short contact to disable or enable the power supply output. The SO function will be activated only when a transition from On to Off is detected after applying AC power to unit. (In Auto-Restart mode, the output will not be enabled after applying AC power; even if SO is in Off level). After On to Off transition is detected, the SO will enable or disable the power supply output according to the signal level or the short/open applied to J1. This function is useful for connecting power supplies in a “Daisy-chain” (refer to Section 6.3). The SO control can be used also to reset the OVP and Fold Protection. refer to Section 5.3 and 5.5 for details.

When the unit is shut-off by J1 signal, the VOLTAGE display will show “SO” to indicate the unit state. J1 contact 15 is the SO signal input and contacts 2 and 3, IF_COM, are the signal return (connected internally). Contacts 2, 3 and 15 are optically isolated from the power supply output.

The SO control logic can be selected by the rear panel SW1 Setup switch. Refer to Table 5-1 for SW1 setting and SO control logic.

SW1-5 setting	SO signal level J1-2(3), 15	Power supply output	Display
Down (default)	2-15V or Open 0-0.6V or Short	On Off	Voltage/Current “SO”
Up	2-15V or Open 0-0.6V or Short	Off On	“SO” Voltage/Current

Table 5-1: SO Logic Selection

5.8. Enable/Disable Control via Rear Panel J1 Connector

Contacts 1 and 14 of J1 (Fig.4-4) serve as Output Enable/Disable terminals by switch or relay. This function is enabled or disabled by the SW1 Setup switch position 9. Refer to Table 5-2 for Enable/Disable function and SW1 setting.

SW1-9 setting	Enable/Disable inputs	Power supply output	Display	ALARM LED
Down (Default)	Open or Short	On	Voltage/Current	Off
Up	Open	Off	"ENA"	Blinking
	Short	On	Voltage/Current	Off

Table 5-2: Enable/Disable function and SW1 setting

CAUTION

To prevent possible damage to the unit, do not connect any of the Enable/Disable inputs to the positive or negative output potential.

If the Enable/Disable inputs are opened when the unit is in Safe Start mode, it is required to short the Enable/Disable inputs and then press OUT button or send OUT1 command to resume operation

5.9. CV/CC Signal

CV/CC signal indicates the operating mode of the power supply, Constant Voltage or Constant Current. CV/CC signal is an open collector output with a 30V parallel zener, at J1-13, referenced to the COM potential at J1-12 (connected internally to the negative sense potential). When the power supply operates in Constant Voltage mode, CV/CC output is open. When the power supply operates in Constant Current mode, CV/CC signal output is low (0-0.6), with maximum 10mA sink current.

CAUTION

Do not connect CV/CC signal to a voltage source higher than 30VDC, always connect CV/CC signal to the voltage source with a series resistor to limit the sink current to less than 10mA.

5.10. PS_OK Signal

PS_OK signal indicates fault condition in the power supply. PS_OK is a TTL signal output at J1-16, referenced to IF_COM at J1-2, 3 (Isolated Interface Common). When a fault condition occurs, PS_OK level is low, with maximum sink current of 1mA; when no fault condition occurs, PS_OK level is high with maximum source current of 2mA. The following faults will set the PS_OK to Fault state:

- *OTP*Enable/Disable open
- *OVP *SO (Rear panel Shut-Off)
- *Foldback *IEEE failure (With optional IEEE interface)
- *AC fail *Output Off

5.11. Safe Start and Auto-Restart Modes

When turning on the power supply, it can start to its last setting of Output Voltage and Current limit with the output enabled (Auto-restart) or start with the output disabled (Safe mode). Press and hold the OUT button to select between Safe start and Auto-restart modes. The VOLTAGE display will continuously cycle between “SAF” and “AUT” every 3 seconds. Releasing OUT push-button while one of the modes is displayed, selects that mode. The default setting at shipment is Safe mode.

5.11.1. Automatic Start Mode

In this mode, the power supply restores its last operation setting. Upon start-up, the output is enabled or disabled according to its last setting.

5.11.2. Safe Start Mode

In this mode, the power supply restores its last operation setting and sets the Output to Off state. At start-up, the output is disabled and the output voltage and current are zero. To enable the output and restore the last output voltage and current limit values, momentarily press OUT button.

5.12. Front Panel Locking

The front panel controls can be locked to protect against an operator accidentally changing the power supply settings.

5.12.1. Changing the Locking

Press and hold the front panel PREView button. See the voltage display toggle between locked front panel (“LFP”) and unlocked front panel (“UFP”). Select a mode by releasing the button when the desired mode is displayed.

5.12.2. Unlocked Front Panel

This is normal operating mode. The front panel controls are enable to program and monitor the power supply parameters.

5.12.3. Locked Front Panel

When the front panel is locked, the following controls are *DISABLED*:

- VOLTAGE and CURRENT encoders.
- FOLD button.
- OUT button

The power supply will not respond to attempts to use these controls. The VOLT display will show “LFP” to indicate that the front panel is locked.

Other buttons, such as PREView and OVP/UVL may still be used to view settings.

5.13. Over Temperature Protection (OTP)

The OTP circuit shuts down the power supply before the internal components can exceed their safe internal operating temperature. When an OTP shutdown occurs, the display show “OTP” and the ALARM LED blinks.

Resetting the OTP circuit can be automatic (non-latched) or manual (latched) depending on the Safe or Automatic restart mode.

- a) Safe start mode: In Safe start mode, the power supply stays off after the over temperature condition has been removed. The display continues to show “OTP” and the ALARM LED continues to blink. To reset the OTP circuit, press OUT button (or send OUT ON command via the serial port).
- b) Auto-restart mode: In Auto-restart mode, the power supply recovers to its last setting automatically when the over temperature condition is removed.

5.14. Last Setting Memory

The power supply is equipped with Last Setting Memory, which stores power supply parameters at each AC turn-off sequence.

Stored Parameters:

- OUT On or Off
- Output voltage setting
- Output current limit
- OVP level
- UVL level
- FOLD setting
- Start-up mode (Safe or Auto-restart)
- Remote/Local (Local Lockout will return to Remote mode)
- Address setting
- Baud rate
- Locked/Unlocked Front Panel

6. SERIES AND PARALLEL SUPPLIES

You may connect the outputs of Genesys™ power supplies together to produce:

- Voltages greater than any one supply rating (series connection).
- Plus and minus polarity (series connection).
- More current than any one supply rating (parallel connection).

In addition to connecting the outputs together, analog control connections are used to ensure the supplies are properly sharing the total voltage or current. Digital remote programming through the RS232/485, IEMD or LAN is allowed to all supplies.

NOTE

When a power supply is set to remote analog control then the corresponding voltage or current encoder, and their PREView settings, will not be affective. Although the front panel seems like it can be used to adjust the output settings, it is the analog control lines that actually set the programming limits.

6.1. Series Operation

Power supplies of the SAME MODEL can be connected in series to obtain increased output voltage. Split connection of the power supplies gives positive and negative output voltage.

CAUTION

Do not connect power supplies from different manufacturers in series or in parallel.

Use only same models for series or parallel connection.

6.1.1. Series Connection for Increased Output Voltage

In this mode, two units are connected so that their outputs are summed. Set the current limit of each power supply to the maximum that the load can handle without damage. It is recommended that diodes be connected in parallel with each unit output to prevent reverse voltage during start up sequence or in case one unit shuts down. Each diode should be rated to at least the power supply rated output voltage and output current. Refer to Fig.6-1 and 6-2 for series operation with local and remote sensing.

WARNING

When power supplies are connected in series, and the load or one of the output terminals is grounded to chassis:

For models up to 60VDC Rated Output, no point may be at a greater potential of +/-60VDC from ground

For models >60VDC Rated Output no point may be at a greater potential of +/-600VDC from ground.

When using RS232/485 or IEEE, refer to the OUTPUT TERMINALS GROUNDING warning, Safety Instructions.



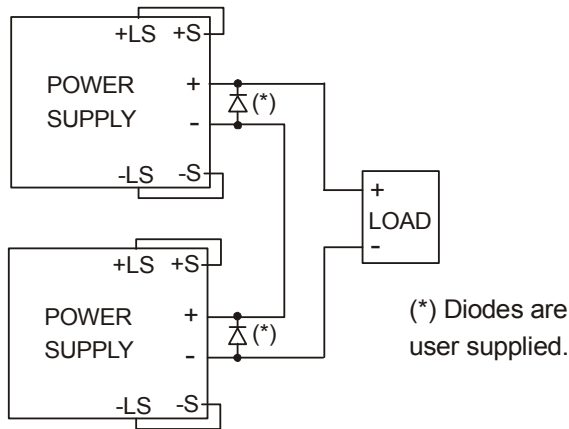


Fig. 6-1: Series connection, local sensing

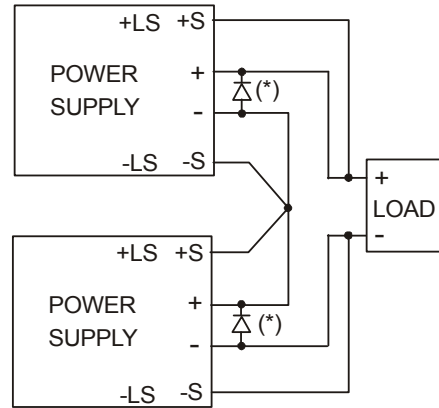


Fig. 6-2: Series connection, remote sensing

Remote programming in series operation for increased output voltage:

1. Programming by external voltage: The analog programming circuits of this power supply are referenced to the negative Sense (-S) potential. Therefore, the circuits used to control each series connected unit must be separated and floated from each other using the Isolated Analog option.
2. Using the SO function and PS_OK signal: The Shut-Off and PS_OK circuits are referenced to the isolated interface common, IF_COM (J1-2,3). The IF_COM terminals of different units can be connected to obtain a single control circuit for the power supplies connected in series. See Section 6.3 for details.
3. Programming by external resistor: Programming by external resistor is possible. Refer to Section 7.5 for details.
4. Programming via the Serial Communication port (RS232/RS485): The communication port is referenced to the IF_COM which is isolated from the power supply output potential. Therefore power supplies connected in series can be chained using the Remote-In and Remote-Out connectors. Refer to Chapter 8 for details.

6.1.2. Series Connection for Positive and Negative Output Voltage

In this mode, two units are configured as a positive and negative output. Set the current limit of each power supply to the maximum that the load can handle without damage. It is recommended that diodes be connected in parallel with each unit output to prevent reverse voltage during start-up or in case one of the units shuts down. Each diode should be rated to at least the power supply rated output voltage and output current. Refer to Fig.6-3 for this operating mode.

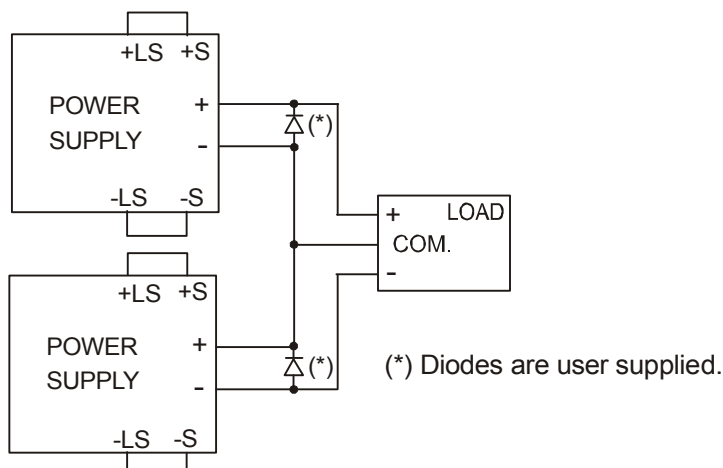


Fig 6-3: Series connection for positive/negative output voltages

Remote programming in series operation for positive and negative output voltage

1. Programming by external voltage: The analog programming circuits of this power supply are referenced to the negative Sense (-LS) potential. Therefore the circuits used to control series connected unit must be separated and floated from each other.
2. Using the SO function and PS_OK: The Shut-Off and PS_OK circuits are referenced to the isolated interface common, IF_COM (J1-2-3). The IF_COM terminals of the units can be connected to obtain a single control circuit for the power supplies connected in series.
3. Programming by external resistor: Programming by external resistor is possible. Refer to Section 7.5 for details.
4. Programming via the Serial Communication port (RS232/RS485): The communication port is referenced to the IF_COM which is isolated from the power supply output potential. Therefore power supplies connected in series can be chained using the Remote-In and Remote-Out connectors. Refer to Chapter 8 for details.

6.2. Parallel Operation

Up to four units of the *SAME VOLTAGE* and *CURRENT RATING* can be connected in parallel to provide up to about four times the output current capability of one supply. One of the units operates as a master and the remaining units are slaves. The slave units are analog programmed by the master unit.

In remote digital operation (RS232/485, IEMD or LAN), only the master unit is programmed by the computer although measurements and status may be read back from the slaves.

In the simplest parallel setup, the slaves output current merely follows the master's. A shut-off daisy chain may be added so when one supply output turns off or on, they all will. The Advanced Parallel option is a firmware setting which adds operator convenience by making the Master show the sum of all supply's currents while the slave front panels are disabled.

6.2.1. Basic Parallel Operation

In this method, setting the units as Master and Slaves is made by the rear panel J1 connections and the setup switch SW1. Each unit displays its own output current and voltage.

CAUTION

Make sure that the connection between –V terminals is reliable to avoid disconnection during operation.
Disconnection may cause damage to the power supply.

NOTE

With local sensing it is important to minimize the wire length and resistance. Also the positive and negative wire resistance should be close as possible to each other to achieve current balance between power supplies.

6.2.2. Setting up the Master Unit

First understand if your load is being driven by a regulated voltage (CV mode) or a regulated current (CC mode).

- For a voltage driven load (CV): set the slaves for voltage limits that are higher than will be reached by the master.
- For a current driven load (CC): the Master unit should be programmed to the total load current divided by the number of units in the system. The slaves must be set to voltage limits higher than will be seen at the master.

The master may use local voltage sensing as shown in Figure 6-4. For a voltage driven load (CV), the master may use remote voltage sensing to the load as shown in Figure 6-5.

6.2.3. Setting up the Slave Units

The slaves must always run in constant current (CC) mode. This is ensured by always setting the slave's voltage limit higher than the actual output voltage and letting the J1-10 IPGM signal regulate their current setting.



WARNING

Failing to set the slave supply voltage setting high enough will cause the slave to go into constant voltage (CV) mode. When this happens, current will no longer be equally shared between the parallel supplies.

The following settings are used on the slave supply:

- a) SW1 pole 2 is UP (on rear panel). This enables remote analog current programming.
- b) SW1 pole 1 is DOWN. Remote voltage programming is not allowed for a slave.
- c) SW1 pole 3 is DOWN. The slave current limit is a 0 to 5 volt signal from the master.
- d) Connect short between J1-8 and J1-12 (refer to Table 4-4).
- e) Connect J1-10 (IPGM) of the slave unit to J1-25 (P) of the master unit.

During operation the slave units operate as a controlled current source following the master output current. It is recommended that the power system is designed so that each unit supplies less than 100% of its current rating because of the imbalance which may be caused by cabling and connections voltage drop.

6.2.4. Setting Over Voltage Protection (OVP)

The master unit OVP should be programmed to the desired OVP level. The OVP of the slave units should be programmed to a higher value than the master OVP. This prevents the slave from shutting down before the master does.

Where there is a risk from over voltages, it is recommended to use a Shut-Off daisy chain (see section TBD) so all power supplies will turn off together.

6.2.5. Setting Foldback Protection (FB)

For systems using a constant voltage (CV) regulated load, foldback protection is recommended as a protection from accidental short circuits. The foldback protection may only be set in the master supply. If the master shuts down, it programs the slave units to zero output voltage.

6.2.6. Connection to the Load

In parallel operation, power supplies can be connected in local or remote sensing. Refer to Fig. 6-4 and 6-5 for typical connections of parallel power supplies. The figures show connection of two units, however the same connection method applies up to 4 units.

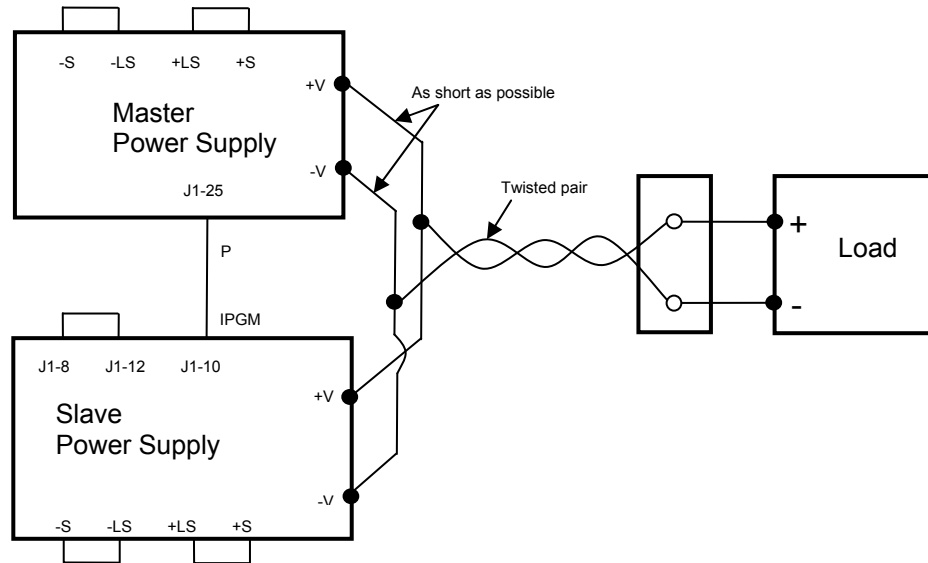


Figure 6-4 Parallel Connection with Local Sensing

With local sensing it is important to minimize the wire length and resistance. Also the positive and negative wire resistance should be as close as possible to each other to achieve current balance between power supplies

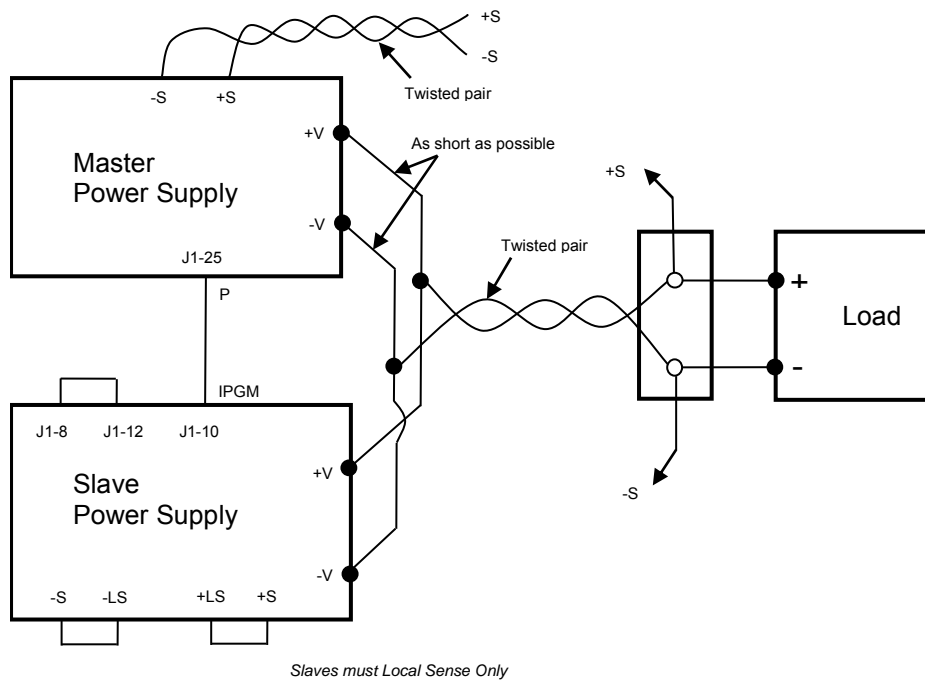


Figure 6-5 Parallel Operation with Remote Sensing

6.3. Daisy-Chain for Shut-Off

It is possible to configure a multiple power supply system to shut down all the units when an “Output Off” command is sent or a fault condition occurs in one of the units.

Setup switch SW1 position 5 should be set to its Down position to enable the Daisy-chain operation. Other SW1 positions can be set according to the application requirements.

If any one supply turns off for any reason, its PS_OK signal will be set to low level and the display will indicate “Off” or the fault. The other units will shut off and their display will indicate a shut-off fault “SO”.

When the “Output On” command is sent or the fault condition is removed, the units will recover to their last setting according to their Safe start or Auto-restart setting.

Fig.6-6 shows connection of three units, The same connection method applies to systems of more supplies.

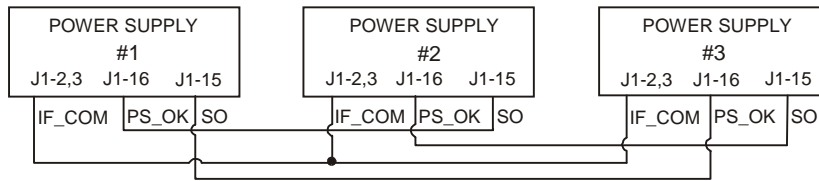


Fig. 6-6: Daisy-chain connection

6.4. Advanced Parallel Operation

In this method, multiple supplies are configured as a basic parallel system but the master supply is set to be the single-point display for the programming, measurement and status of all the supplies. The slave supply front panels are essentially disabled.

NOTE

In an Advanced Parallel system, the output current measured by the master supply is only the master’s current multiplied by two, three or four (depending on the number of slaves).

The total paralleled current may be different, subject to the combined output errors of the slaves.

It is required to use the shut-off daisy-chain with Advanced Parallel.

The wiring for Advanced Parallel, including the loads, sense and J1 analog control, is identical to the basic parallel system described above. Advanced Parallel is a firmware feature.

6.4.1. Setting the Supplies for Advanced Parallel

The front panel is used to set a power supply as an Advanced Parallel master or slave.

To set the master, it is required to know how many parallel slaves will be tied to its output.

- a) Depress and hold the FINE button for 3 seconds. The default setting, "H1", may appear on the current display.
- b) Rotate the current encoder to obtain the desired mode from the table below.

CURRENT Display	Operating Mode
H1	Single supply (default)
H2	Master supply with 1 Slave supply
H3	Master supply with 2 Slave supplies
H4	Master supply with 3 Slave supplies
S	Slave supply

Table 6-1: Setting mode of operation

- c) To lock in the new master or slave setting, wait a few seconds for the display to clear.

6.4.2. Master and Slave Units Default Operation

- a) When a unit is programmed to Slave mode it enters the Remote mode with Local Lockout. In this mode, the front panel controls are disabled.
- b) The slave front panel display will only show "On" or a fault condition.
- c) The Slave units parameters will automatically set the following:
 - Output voltage to ~102% of rated output voltage
 - Programmed Current to zero
 - UVL to zero volts
 - OVP to its maximum value
 - AST On
 - OUT On
 - Foldback protection Off
- d) The Master and Slave modes are stored in the power supply EPROM when the AC power is turned off. The system will return to the Master/Slave mode upon re-application of AC power.

6.4.3. Current Display Accuracy

In the advanced parallel mode, the Master unit does *not* display actual total current of all units in parallel. In this method, the CURRENT display accuracy is 2% +/- 1 count.

In cases that higher accuracy is required, it is recommended to use the basic parallel operation mode and get the current measurements from each supply and add them to get the total current.

6.4.4. To Release From Slave Mode

Slave units can be released using the following procedure:

- a) Depress FINE button for 3 seconds. The current display changes to show the master or slave setting.
- b) Select "H1" mode using the CURRENT encoder.
- c) Depress FINE button again or wait 5 seconds.
- d) Turn the AC power Off and On to store the new setting.
- e) The front panel will be locked. Unlock it by depressing the PREView button until the display shows "UFP".
- f) After exiting from Slave operation the unit's parameters will be set to:
 - Programmed Voltage to zero
 - Programmed Current to zero
 - UVL to zero volts
 - OVP to its maximum value
 - AST OFF
 - OUT OFF
 - Foldback protection OFF
 - Locked Front Panel

7. REMOTE AND ANALOG PROGRAMMING

7.1. Introduction

The rear panel connector J1 allows the user to program the power supply output voltage and current limit with an analog device. J1 also provides monitoring signals for output voltage and output current. The programming range and monitoring signals range can be selected between 0-5V or 0-10V using the setup switch SW1. When the power supply is in Remote Analog programming, the serial communication port is active and can be used to read the power supply parameters.

CAUTION

COM (J1-12), VPGM_RTN (J1-22) AND IPGM_RTN (J1-23) terminals of J1 connect internally to the -Sense potential (-LS). Do not connect these terminals to any potential other than -Sense (-LS), as it may damage the power supply.

CAUTION

When the Isolated Analog Option is installed, do not apply any signals to the non-isolated VPGM and IPGM (J1-9 and J1-10) pins. All other J1 features may be used normally. Refer to Section 4.4 for a description of J1 features.

7.2. Local/Remote Analog Selection

Contact 8 of J1 (Fig.4-4) accepts TTL signal or Open-Short contact (referenced to J1-12) to select between Local or Remote Analog programming of the output voltage and current limit.

In Local mode, the output voltage and current limit can be programmed via the front panel VOLTAGE and CURRENT encoders or via the RS232/485 port. In Remote Analog mode, the output voltage and current limit can be programmed by analog voltage or by programming resistors via J1 contacts 9 and 10 (Refer to Sections 7.4 and 7.5). Refer to Table 7-1 for Local/Remote Analog control (J1-8) function and Setup switch SW1-1, 2 setting.

SW1-1, 2 setting	J1-8 function	Output voltage/ Current setting
Down (default)	No effect	Local
Up	"0" or Short	Remote
	"1" or Open	Local

Table 7-1: Local/Remote Analog control function

7.3. Local/Remote Analog Indication

Contact 21 of J1 (Fig. 4-4) is an open collector output that indicates if the power supply is in Local mode or in Remote Analog mode. To use this output, connect a pull-up resistor to a voltage source of 30Vdc maximum. Choose the pull-up resistor so that the sink current will be less than 5mA when the output is in low state. Refer to Table 7-2 for J1-21 function.

J1-8	SW1-1	SW1-2	J1-21 signal	Analog Mode
TTL "0" or short	Down	Down	Open	Local
	Down	Up	0±0.6V	Remote
	Up	Down	0±0.6V	Remote
	Up	Up	0±0.6V	Remote
TTL "1" or open	Down or Up	Down or Up	Open	Local

Table 7-2: Local/Remote Analog indication

7.4. Remote Voltage Programming of Output Voltage and Current Limit

CAUTION

To maintain the isolation of power supply and prevent ground loops, use an isolated programming source when operating the power supply via remote analog programming at J1 connector.

Perform the following procedure to set the power supply to Remote Voltage programming:

- Turn the power supply switch to Off.
- Set setup switch SW1 position 1 and 2 to their UP position.
- Set SW1 position 3 to select programming voltage range according to Table 7-3.
- Ensure that SW1 positions 3 to select programming voltage range according to Table 7-3.
- Connect a short between J1-8 and J1-12 (refer to Table 4-4).
- Connect the programming source to the mating plug of J1 as shown in Fig.7-1. Observe correct polarity for the voltage source.
- Set the programming sources to the desired levels and turn the power supply ON. Adjust the programming sources to change the power supply output.

NOTES:

- SW1 positions, 4, 5, 6 and 9 are not required for remote programming. Their setting can be determined according the application.
- The control circuits allow the user to set the output voltage and current limit up to 5% over the model-rated maximum value. The power supply will operate within the extended range, however it is not recommended to operate the power supply over its voltage and current rating and performance is not guaranteed.

SW1-3 setting	Output Voltage programming VPGM (J1-9)	Current limit programming IPGM (J1-10)
UP	0-10V	0-10V
DOWN	0-5V	0-5V

Table 7-3: SW1-3 Setting and Programming Range

J1 connector, rear panel view

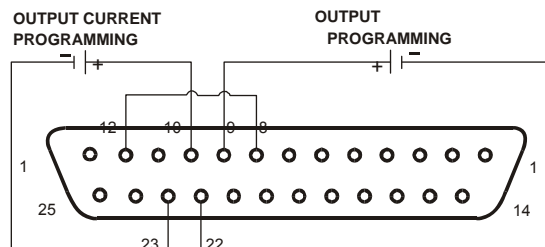


Fig. 7-1: Remote voltage programming connection

(Use shielded cable Refer to Section 4.4.)

7.5. Resistive Programming of Output Voltage and Current Limit

For resistive programming, internal current sources, for output voltage and/or output current control, supply 1mA current through external programming resistors connected between J1-9 & 22 and J1-10 & 23. The voltage across the programming resistors is used as a programming voltage for the power supply. Resistance of 0-5Kohm or 0-10Kohm can be selected to program the output voltage and current limit from zero to full scale.

A variable resistor can control the output over its entire range, or a combination of variable resistor and series/parallel resistors can control the output over restricted portion of its range.

Perform the following procedure to set the power supply to Resistive programming:

- a) Turn the switch to off.
- b) Set setup switch SW1 positions 1 and 2 to their UP position.
- c) Set SW1 position 3 to select programming resistor range according to Table 7-4.
- d) Set SW1 positions 7 and 8 to their UP position to enable resistive programming mode.
- e) Connect a short between J1-8 and J1-12 (refer to Table 4-4).
- f) Connect the programming resistors to the mating plug of J1 as shown in Fig.7-2.
- g) Set the programming resistors to the desired resistance and turn the power supply ON.
Adjust the resistors to change the power supply output.

NOTES:

1. SW1 positions 4, 5, 6 and 9 are not required for remote programming. Their setting can be determined according to the application requirements.
2. The control circuits allow the user to set the output voltage and current limit up to 5% over the model-rated maximum value. The power supply will operate within the extended range, however it is not recommended to operate the power supply over its voltage and current rating and performance is not guaranteed.
3. To maintain the temperature stability specification of the power supply, the resistors used for programming should be stable and low noise resistors, with temperature coefficient of less than 50ppm.
4. When resistive programming is used, front panel and computer control (via serial communication port) of output voltage and current are disabled.

SW1-3 setting	Output Voltage programming VPGM (J1-9)	Current limit programming IPGM (J1-10)
UP	0-10Kohm	0-10Kohm
DOWN	0-5Kohm	0-5Kohm

Table 7-4: SW1-3 setting and programming range

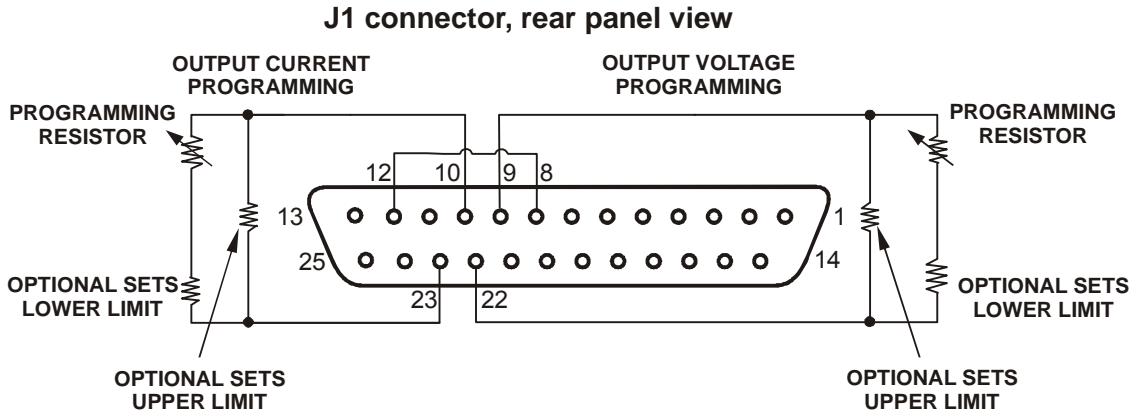


Fig 7-2: Remote resistive programming

7.6. Remote Monitoring of Output Voltage and Current

The J1 connector, located on the rear panel provides analog signals for monitoring the output voltage and output current. Selection of the voltage range between 0-5V or 0-10V is made by setup switch SW1-4. The monitoring signals represent 0 to 100% of the power supply output voltage and output current. The monitor outputs have 500 ohm series output resistance. Ensure that the sensing circuit has an input resistance of greater than 500 Kohm or accuracy will be reduced.

Refer to Table 7-5 for required J1 connection, SW1-4 setting and monitoring voltage range.

Signal name	Signal function	J1 connection		Range	SW1-4
		Signal (+)	Return (-)		
VMON	V_{out} monitor	J1-11	J1-12	0-5V	Down
IMON	I_{out} monitor	J1-24			
VMON	V_{out} monitor	J1-11	J1-12	0-10V	Up
IMON	I_{out} monitor	J1-24			

Table 7-5 Monitoring signals setting

Notes:

1. Radiated emissions, fcc requirements: FCC requirements for radiated emissions use shielded cable for the analog control signals and connect shield to chassis (As stud is provided near J1).
2. Front panel encoders operation: In Remote analog mode the output voltage and current can't be set by the VOLTAGE and CURRENT encoders.
3. Front panel prev button: Use PREV button to display the output voltage and current setting defined by the encoders or communication.
4. Communication: Remote analog mode, power supply parameters can be programmed and readback via the communication port except output voltage and current setting.

8. RS232 & RS485 REMOTE CONTROL

8.1. Introduction

This chapter describes the operation of the Genesys™ 10kw and 15kw power supplies via the serial communication port. Details of the initial set-up, operation via RS232 or RS485, the command set and the communication protocol are described in this chapter.

8.2. Configuration

8.2.1. Default setting

The power supply is shipped with the following setting:

-Address	6	-Output	Off
-Baud-rate	9600	-Start up mode	Safe start
-RS232/485	RS232	-OVP	Maximum
-V _{out} setting	0	-UVL	0
-I _{out} setting	Maximum	-Foldback	Off
		-Front panel	Unlocked (UFP)

8.2.2. Address Setting

The power supply address can be set to any address between 0 and 30. Follow the instructions described below to set the address.

- If the unit is in Remote mode (front panel REM/LOC LED illuminates), press REM/LOC button to put the unit into Local mode.
- Press and hold for approximately 3 sec. the REM/LOC button. The VOLTAGE display will indicate the communication port address.
- Using the VOLTAGE adjust encoder, select the address.

To preview the address at any time, press and hold the REM/LOC button for approx. 3 sec. The VOLTAGE display will indicate the power supply address.

8.2.3. RS232 or RS485 Selection

To select between RS232 or RS485 set the rear panel setup switch SW1-6 position to:

- Down for RS232
- Up for RS485

8.2.4. Baud Rate Setting

Five optional rates are possible: 1200, 2400, 4800, 9600 and 19200. To select the desired rate, the following steps should be taken:

- If the unit is in Remote mode (front panel REM/LOC LED illuminates), press REM/LOC button to put the unit into Local mode.
- Press and hold for approx. 3 sec. the REM/LOC button. The CURRENT display will show the communication port baud Rate.
- Using the CURRENT adjust encoder, select the desired Baud Rate.

8.2.5. Setting the Unit into Remote or Local Mode

The unit will be put into Remote mode only via serial communication command. Commands that will put the unit into Remote mode are:

RST PV n RMT n
 OUT n PC n
 (for n values see Tables 7-4, 7-5 and 7-6)

There are two Remote modes:

- a) **Remote:** In this mode, return to local can be made by the front panel REM/LOC or via serial port command RMT 0. Set the unit into Remote mode via serial port RMT 1 command.
- b) **Local Lockout:** In this mode the unit can be returned to Remote mode via the serial port RMT 1 command or by turning off the AC power until the display turns off and then recycling AC power. In local Lockout mode, the front panel REM/LOC button is not active. Set the unit into Local Lockout mode via serial port RMT 2 command.

8.2.6. RS232/485 Port in Local Mode

When the power supply is in local mode, it can receive queries or commands. If a query is received, the power supply will reply and remain in Local mode. If a command that affects the output is received, the power supply will perform the command and change to Remote mode.

8.2.7. Front Panel in Remote Mode

Front panel control in Remote mode is disabled except for:

1. PREV: use to preview the Voltage and Current limit setting.
2. OVP/UVL: use to preview the OVP/UVL setting.
3. LOC/REM: use to set the unit into Local mode.

In Local Lockout mode, only PREV and OVP/UVL are active.

8.3. Rear Panel RS232/485 Connector

The RS232/485 interface is accessible through the rear panel RS232/485 IN and RS485 OUT connectors. The connectors are 8 contact RJ-45. The IN and OUT connectors are used to connect power supplies in a RS232 or RS485 chain to a controller. Refer to Fig. 8-1 for IN/OUT connectors.

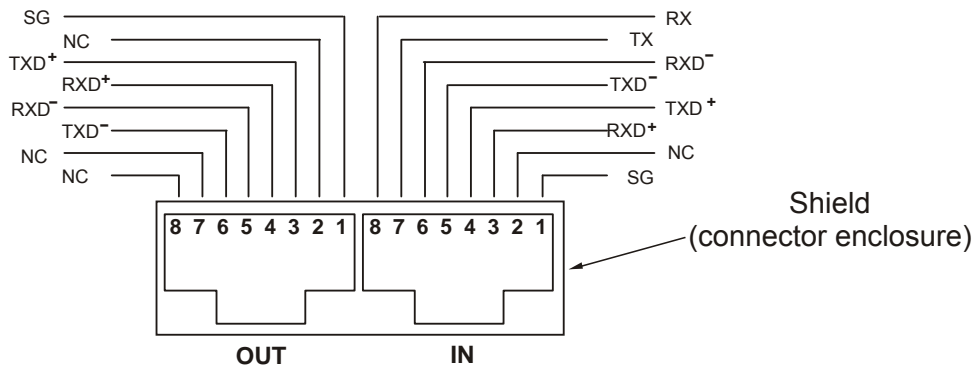


Fig 8-1: Rear panel J3 IN/OUT connectors pinout

Tx and Rx are used for RS232 communication. Txd +/- and Rxd +/- are used for RS485 communication. Refer to RS232 and RS485 cable description for connection details.

8.4. Connecting Power Supplies to RS232 Bus

8.4.1. Single Power Supply

- a) Select the desired interface RS232 or RS485 using rear panel setup switch SW1-6 (Section 0).
 - RS232: Down position
 - RS485: Up position
- b) Connect rear panel IN connector to the controller RS232 or RS485 port using a suitable shielded cable.

Refer to Figures 8-2, 8-3 and 8-4 for available RS232 and RS485 cables.

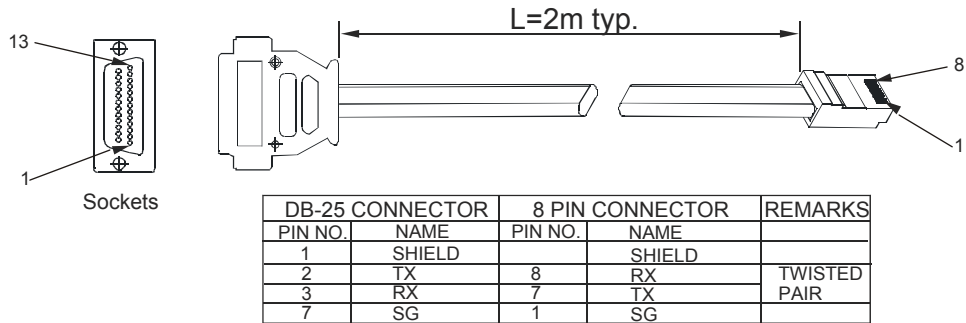


Fig.8-2: RS232 cable with DB25 connector (P/N: GEN/232-25)

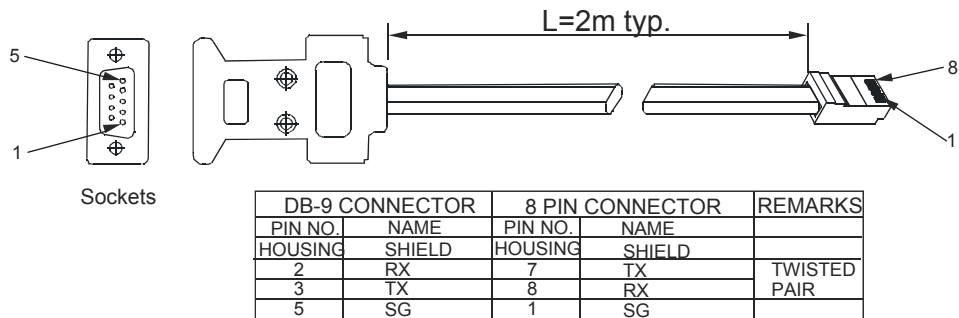


Fig.8-3: RS232 cable with DB9 connector (P/N: GEN/232-9)

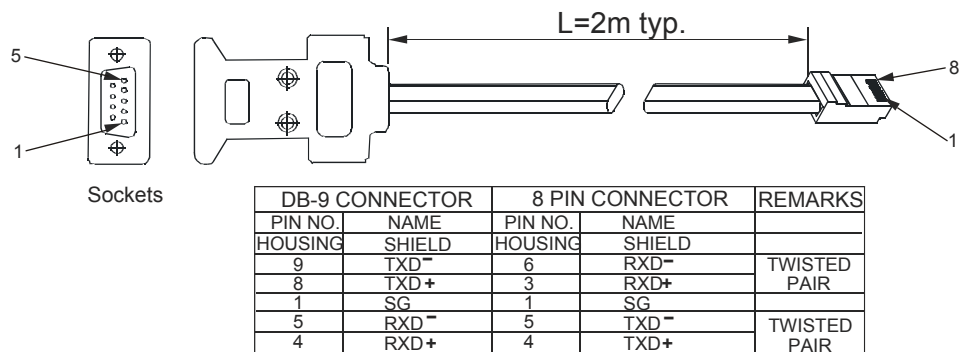


Fig.8-4: RS485 cable with DB9 connector (P/N: GEN/485-9)

8.4.2. Multi Power Supply Connection to RS232 or RS485 Bus

Up to 31 units can be connected to RS232 or RS485 bus. The first unit connects to the controller via RS232 or RS485 and the other units are connected with RS485 bus.

- First unit connection: Refer to Section 8.4.1 for connecting the first unit to the controller.
- Other units connection: The other units on the bus are connected via their RS485 interface.

Refer to Figure 8-5 for typical connection.

- Set rear panel setup switch SW1-6 to its UP position.
- Using the Linking cable (Refer to Fig. 8-6), connect each unit OUT connector to the next unit IN connector.

8.5. Communication Interface Protocol

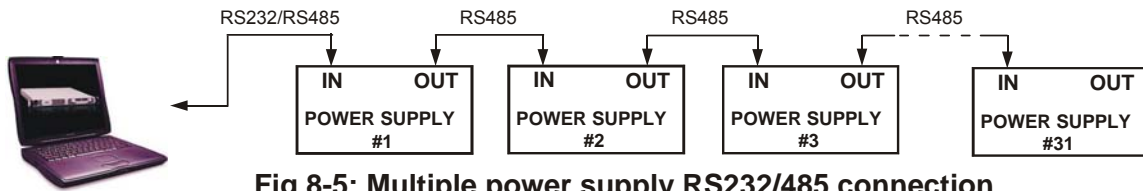


Fig 8-5: Multiple power supply RS232/485 connection

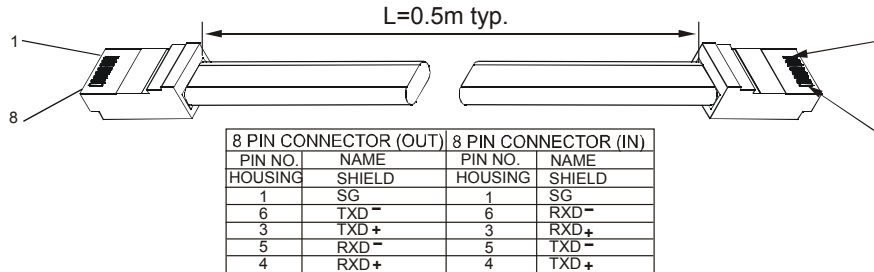


Fig.8-6: Serial link cable with RJ-45 shielded connectors (P/N: GEN/RJ-45)

8.5.1. Data format

Serial data format is 8 bit, one start bit and one stop bit. No parity bit.

NOTE

The address (“ADR n”) command must return an “OK” response before any other commands are accepted.

8.5.2. Addressing

The Address is sent separately from the command. Refer to section 8.7.3 for details.

8.5.3. End of Message

The end of message is the Carriage Return character (ASCII 13). The power supply ignores the Line Feed (ASCII 10) character.

8.5.4. Command Repeat

The backslash character “\” will cause the last command to be repeated.

8.5.5. Checksum

The user may add a checksum (optional) to the end of the command. This ensures no data bits are corrupted by bad wires or noise. The checksum is “\$” followed by two hex characters. If a command or a query has a checksum, the response will also have one. There is no CR between the command string and the “\$” sign.

Example: STT?3A

STAT?\$7B

8.5.6. Acknowledge

The power supply acknowledges received commands by returning an “OK” message. If an error is detected the power supply will return an error message. The rules of checksum apply also to the acknowledge.

8.5.7. Error Message

If an error is detected in command or query, the power supply will respond with an error message. Refer to Section 8.6 for details.

8.5.8. Backspace

The backspace character (ASCII 8) clears the last character sent to the power supply.

8.6. Error Messages

The power supply will return error messages for illegal commands and illegal programming parameters. Refer to Table 8-1 for programming error messages and Table 8-2 for commands error messages.

Table 8-1: Programming Error Messages

Error Code	Description
E01	Returned when program voltage (PV) is programmed above acceptable range. Example: PV above ‘105% of supply rating’
E02	Returned when programming output voltage below UVL setting.
E04	Returned when OVP is programmed below acceptable range. Example: OVP less than 5% of supply voltage rating’ plus ‘voltage setting’.
E06	Returned when UVL is programmed above the programmed output voltage.
E07	Returned when programming the Output to ON during a fault shut down.

Table 8-2: Commands Error Messages

Error Code	Description
C01	Illegal command or query
C02	Missing parameter
C03	Illegal parameter
C04	Checksum error
C05	Setting out of range

8.7. Command Set Description

8.7.1. General Guide

1. Any command or argument may be in capital letters or small letters.
2. In commands with an argument, a space must be between the command and the argument.
3. For any command that sets a numeric value, the value may be up to 12 characters long.
4. Carriage Return: If the CR character (ASCII 13) is received by itself, the power supply will respond with "OK" and CR.

8.7.2. Command Set Categories

1. Initialization control
2. ID control
3. Output control
4. Status control

8.7.3. Initialization Control Commands

#	Command	Description
1	ADR n	ADR is followed by address, which can be 0 to 30 and is used to access the power supply.
2	CLS	Clear status. Sets FEVE and SEVE registers to zero (refer to Section 8.12).
3	RST	Reset command. Brings the power supply to a safe and known state: Output voltage: zero, Remote: non-lockout remote, Output current: zero, Auto-start: Off, Output: Off, OVP: maximum, FOLD: Off, UVL: zero The conditional registers (FLT and STAT) are updated, the other registers are not changed.
4	RMT	Sets the power supply to local or remote mode: 1. RMT 0 or RMT LOC, sets the power supply into Local mode. 2. RMT 1 or RMT REM, sets the unit into remote mode. 3. RMT 2 or RMT LLO, sets the unit into Local Lockout mode (latched remote mode).
5	RMT?	Returns to the Remote mode setting: 1. "LOC" - The unit is in Local mode. 2. "REM" - The unit is in Remote mode. 3. "LLO" - The unit is in Local Lockout (latched remote) mode.
6	MDAV?	Returns if the Multi-drop option is installed. 1 indicates installed and 0 indicates not installed.
7	\	Repeat last command. If \<CR> is received, the power supply will repeat the last command.

8.7.4. ID Control Commands

#	Command	Description
1	IDN?	Returns the power supply model identification as an ASCII string: TDK-Lambda, GENX-Y
2	REV?	Returns the software version as an ASCII string.
3	SN?	Returns the unit serial number. Up to 12 characters.
4	DATE?	Returns date of last test. Date format: yyyy/mm/dd

8.7.5. Output Control Commands

#	Command	Description
1	PV n	Sets the output voltage value in Volts. The range of voltage value is described in Table 7-3. The maximum number of characters is 12. See the following examples for PV n format: PV 12, PV 012, PV 12.0, PV 012.00, etc...
2	PV?	Reads the output voltage setting. Returns the string "n" where "n" is the exact string sent in the PV n command. When in Local mode, returns the PREVIEW (front panel) settings in a 5 digits string.
3	MV?	Reads the actual output voltage. Return 5 digits string. Example: 60V supply sends 01.150, 15.012, 50.000, etc...
4	PC n	Set the output current value in Amperes. The range of current values is described in Tables 7-4 and 7-5. The maximum number of characters is 12. See the following examples for PC n format PC 10, PC 10.0, PC 010.00, etc...See Note 1
5	PC?	Reads the output current setting. Returns the string "n" where "n" is the exact string sent in the PC n command. When in Local mode, returns the PREVIEW (front panel) settings in a 5 digits string.
6	MC?	Reads the actual output current. Returns 5 digits string. Example: 200A supply sends 000.50, 110.12, 200.00, etc...See Note 2
7	DVC?	Display Voltage and Current data. Data will be returned as a string of ASCII characters. A comma will separate the different fields. The fields, in order, are: Measured Voltage, Programmed Voltage, Measured Current, Programmed Current, Over Voltage Set Point and Under Voltage Set Point. Example: 5.9999,6.0000,010.02,010.00,7.500,0.000
8	STT?	Reads the complete power supply status. Returns ASCII characters representing the following data, separated by commas: MV<actual (measured) voltage> PC<programmed (set) current> PV<programmed (set) voltage> SR<status register, 2-digit hex> MC<actual (measured) current> FR<fault register, 2-digit hex> Example response: MV(45.201),PV(45), MC(4.3257), PC(10), SR(30), FR(00)
9	FILTER nn	Set the low pass filter frequency of the A to D Converter for Voltage and Current Measurement where nn = 18, 23 or 46 Hz (default is 18)
10	FILTER?	Returns the A to D Converter filter frequency: 18,23 or 46 Hz (default is 18)
11	OUT n	Turns the output to ON or OFF. Recover from Safe-Start, OVP or FLD fault. OUT 1 (or OUT ON)-Turn On. OUT 0 (or OUT OFF)-Turn Off
12	OUT?	Returns the output On/Off status string. ON - output On. OFF - output Off.
13	FLD n	Sets the Foldback protection to ON or OFF. FLD 1 (or FOLD ON) - Arms the Foldback protection FLD 0 (or FOLD OFF) - Cancels the Foldback protection. When the Foldback protection has been activated, OUT 1 command will release the protection and re-arm it, while FLD 0 will cancel the protection.
14	FLD?	Returns the Foldback protection status string: "ON" - Foldback is armed. "OFF" - Foldback is cancelled.
15	FBD nn	Add (nn x 0.1) seconds to the Fold Back Delay. This delay is in addition to the standard delay. The range of nn is 0 to 255. The value is stored in eeprom at AC power down and recovered at AC power up.
16	FBD ?	Supply returns the value of the added Fold Back Delay.
17	FBDRST	Reset the added Fold Back Delay to zero.
18	OVP n	Sets the OVP level. The OVP setting range is given in Table 8-4. The number of characters after OVP is up to 12. The minimum setting level is approximately 105% of the Output Voltage setting, or the value in Table 8-4, whichever is higher. The maximum OVP setting level is shown in Table 5-1. Attempting to program the OVP below this level will result in an execution error response ("E04"). The OVP setting stays unchanged.
19	OVP?	Returns the setting "n" where "n" is the exact string in the user's "OVP n". When in Local mode, returns the last setting from the front panel in a 4 digit string.
20	OVM	Sets OVP level to the maximum level. Refer to Table 8-4.
21	UVL n	Sets Under Voltage Limit. Value of "n" may be equal to PV setting, but returns "E06" if higher. Refer to Table 8-5 for UVL programming range.

#	Command	Description
22	UVL?	Returns the setting "n" where "n" is the exact string in the user's "UVL n". When in Local mode, returns the last setting from the front panel in a 4 digit string.
23	AST n	Sets the Auto-restart mode to ON or OFF. AST 1 (or AST ON): Auto restart On. AST 0 (or AST OFF): Auto restart Off.
24	AST?	Returns the string auto-restart mode status.
25	SAV	Saves present settings. The settings are the same as power-down last setting. These settings are erased when the supply power is switched Off and the new "last settings" are saved.
26	RCL	Recalls last settings. Settings are from the last power-down or from the last "SAV" command.
27	MODE?	Returns the power supply operation mode. When the power supply is On (OUT 1) it will return "CV" or "CC". When the power supply is OFF (OUT 0 or fault shutdown) it will return "OFF".
28	MS?	Returns the Master/Slave setting. Master: n= 1, 2, 3, or 4 Slave: n=0

NOTES:

1. *In Advance parallel mode (refer to Sec. 6.2.1), "n" is the total system current.*
2. *In Advanced parallel mode, "MC?" returns the Master unit current multiplied by the number of slave units +1.*

8.8. Global Output Commands

8.8.1. Description

Global commands are a way to quickly set all power supplies on the RS-232/485 bus to the same setting. For example, sending “GOUT OFF” is one way to turn a whole group of supplies OFF at nearly the same time.

CAUTION



After sending a global command, it is important that the controller wait 200 mSec before sending any more RS-232/485 messages.

If the command contains an error, such as incorrect syntax or range values, *NO* error response will be returned by any power supply.

Table 8.5: Global Output Commands

1	GRST	Reset. Brings the power supply to a safe and known state: Output voltage: 0V, output current: 0A, OUT: Off, Remote: RMT 1, AST: Off OVP: Max, UVL: 0. The conditional register (FLT and STAT) are updated. Other registers are <i>not</i> changed. Non-Latching faults (FB, OVP, SO) are cleared, OUT fault stays
2	GPV n	Sets the output voltage value in volts. The range of voltage values is shown in Table 8-7. ‘n’ may be up to 12 char plus dec. pt
3	GPC n	Program the output current value in amperes. The range of current values is shown in Table 8-6. ‘n’ may be up to 12 char plus dec. pt
4	GOUT	Turns the output to ON or OFF: “OUT 1/ON” = turn on “OUT 0/OFF” = turnoff, clears CV and CC bits in the Status Condition (STAT). OUT ON will respond with “E07” if the output cannot be turned on because of a latching fault (OTP, AC, ENA, SO) shutdown.
5	GSAV	Save present settings. Same settings as power-down last settings listed in Error! Reference source not found. Except the address and Baud rate are not saved Saves to the RAM. These settings are erased when the supply power is switched off and the new ‘last settings’ are saved.
6	GRCL	Recall last settings. Settings are from last power-down or from last ‘SAV’ or ‘GSAV’ command. Address and Baud rate are not recalled so communication is not interrupted.

Table 8-6: Current programming range

Model	Minimum (A)	Maximum (A)
7.5-1000	0.0	1000.0
10-1000	0.0	1000.0
12.5-800	0.0	800.0
20-500	0.0	500.0
25-400	0.0	400.0
30-333	0.0	333.0
40-250	0.0	250.0
50-200	0.0	200.0
60-167	0.0	167.0
80-125	0.0	125.0
100-100	0.0	100.0
125-80	0.0	80.0
150-66	0.0	66.0
200-50	0.0	50.0
250-40	0.0	40.0
300-33	0.0	33.0
400-25	0.0	25.0
500-20	0.0	20.0

Table 8-7: OVP Programming Range

Model Rated Output Voltage (V)	Minimum (V)	Maximum (V)
7.5-1000	0.75	8.25
10-1000	1	11
12.5-800	1.25	13.75
20-500	2	22
25-400	2.5	27.5
30-333	3	33
40-250	4	44
50-200	5	55
60-167	6	66
80-125	8	88
100-100	10	110
125-80	12.5	137.5
150-66	15	165
200-50	20	220
250-40	25	275
300-33	30	330
400-25	40	440
500-20	50	550
600-17	60	660

Table 8-8: UVL Programming Range

Model Rated Output Voltage (V)	Minimum (V)	Maximum (V)
7.5-1000	0	7.125
10-1000	0	9.5
12.5-800	0	11.875
20-500	0	19
25-400	0	23.75
30-333	0	28.5
40-250	0	38
50-200	0	47.5
60-167	0	57
80-125	0	76
100-100	0	95
125-80	0	118.75
150-66	0	142.5
200-50	0	190
250-40	0	237.5
300-33	0	285
400-25	0	380
500-20	0	475
600-17	0	570

8.9. Fast Queries

These are commands that read a response very quickly from the power supply. They use unprintable character codes. They allow the power supply to avoid the normal command processing delays.

The processing time for these queries is typically 2 mSec, so total query speed is 2 mSec plus the RS-232/485 transmission time.

Since these queries embed the power supply address (0 to 30), there is no need to first send the "ADR n" addressing command.

8.9.1. Fast Test for Connection

This is an addressed query that is good for scanning to see what supplies are "on line". If no response is returned within 10 mSec, your control program has determined that no power supply is connected at that address.

Query Format:

Send two bytes of unreadable characters. First:

Byte 1 = 1010 1010 = AA hex

Byte 2 = 000x xxxx (where xxxxx is the address of the supply in binary)

Query Response:

The power supply returns 5 characters:

First a "1" = 31 hex if Multi-drop is enabled

or a "0" = 30 hex if Multi-drop is not enabled

Then four printable characters:

Dollar sign "\$"

Checksum (two ASCII hex characters) = "30" or "31"

Carriage-return terminator

8.9.2. Fast Read Registers

This query allows fast polling of the status and error registers for many power supplies on a RS-232/485 link. It is useful for checking many supplies to verify they are all operating as expected.

Query Format:

Send two bytes of unreadable characters. First:

100x xxxx (where xxxxx is the address of the supply in binary)

And send it a second time:

100x xxxx send 2 characters sequentially

Query Response:

The power supply returns 16 characters including the contents of the status and fault registers (see section TBD and Figure TBD).

First twelve bytes contain binary data from six registers:

STAT? SENA? SEVE? FLT? FENA? FEVE?

Then four printable characters:

Dollar sign "\$"

Checksum (two ASCII hex characters)

Carriage-return terminator

8.9.3. Read Power-On Time

This query allows you to read how many minutes the power supply has been running since it was built. The accuracy, in minutes, is not guaranteed for time critical applications.

Query Format:

Send two bytes of unreadable characters. First:

Byte 1 = 1010 0110 = A6 hex

Byte 2 = 000x xxxx (where xxxxx is the address of the supply in binary)

Query Response:

The power supply returns 12 characters:

First is the minutes as a 32 Bit integer as 8 ASCII Hex bytes

Then four printable characters:

Dollar sign "\$"

Checksum (two ASCII hex characters) = "30" or "31"

Carriage-return terminator

8.9.4. Service Request Messages

A Genesys power supply can automatically send messages over the RS-232/485 lines when there is a change in operating mode or if a fault occurs. These messages are called Service Requests or SRQs. They are setup with the RS-232/485 status registers (see Section 8.11 and 8.12).

Since the SRQ messages may be sent from any supply at any time, there is a chance they can collide with other messages from other supplies. Your controller software has to be developed enough to read messages that may come at any time, and to recover if messages are corrupted by collisions.

If you need Service Request messaging, please contact TDK-Lambda for assistance. We can provide several special communication commands and settings that will help with this.

8.10. Status and Error Commands

The following commands operate on the power supply status and error registers. They are used to read operating conditions and fault conditions, they can be set to latch changes in these conditions, and masks can be set up to send service requests messages if the conditions change.

Refer to Section 8.11 and Figure 8-7 for more instructions on using these register commands.

Table 8-9

#	Command	Description
2	FLT?	Reads Fault Conditional Register. Returns 2-digit hex.
3	FENA	Set Fault Enable Register using 2-digit hex.
4	FENA?	Reads Fault Enable Register. Returns 2-digit hex.
5	FEVE?	Reads Fault Event Register. Returns 2-digit hex. Clears bits of Fault Event
6	STAT?	Reads Status Conditional Register. Returns 2-digit hex.
7	SENA	Sets Status Enable Register using 2-digit hex.
8	SENA?	Reads Status Enable Register. Returns 2-digit hex.
9	SEVE?	Reads Status Event register. Returns 2-digit hex. Clears bits of Status Event

8.11. Status, Error, and SRQ Registers

8.11.1. General Description

This Section describes the structure and operation of the six status, error, and SRQ registers. The registers can be set or read via the RS232/RS485 commands.

Refer to Fig. 8-7 for the Status and Error Registers Diagram.

NOTE: these registers operate in a way that is similar to the IEEE-488 and SCPI registers (as used by the Genesys™ with the “-IEMD” option), but the structure and command set is different.

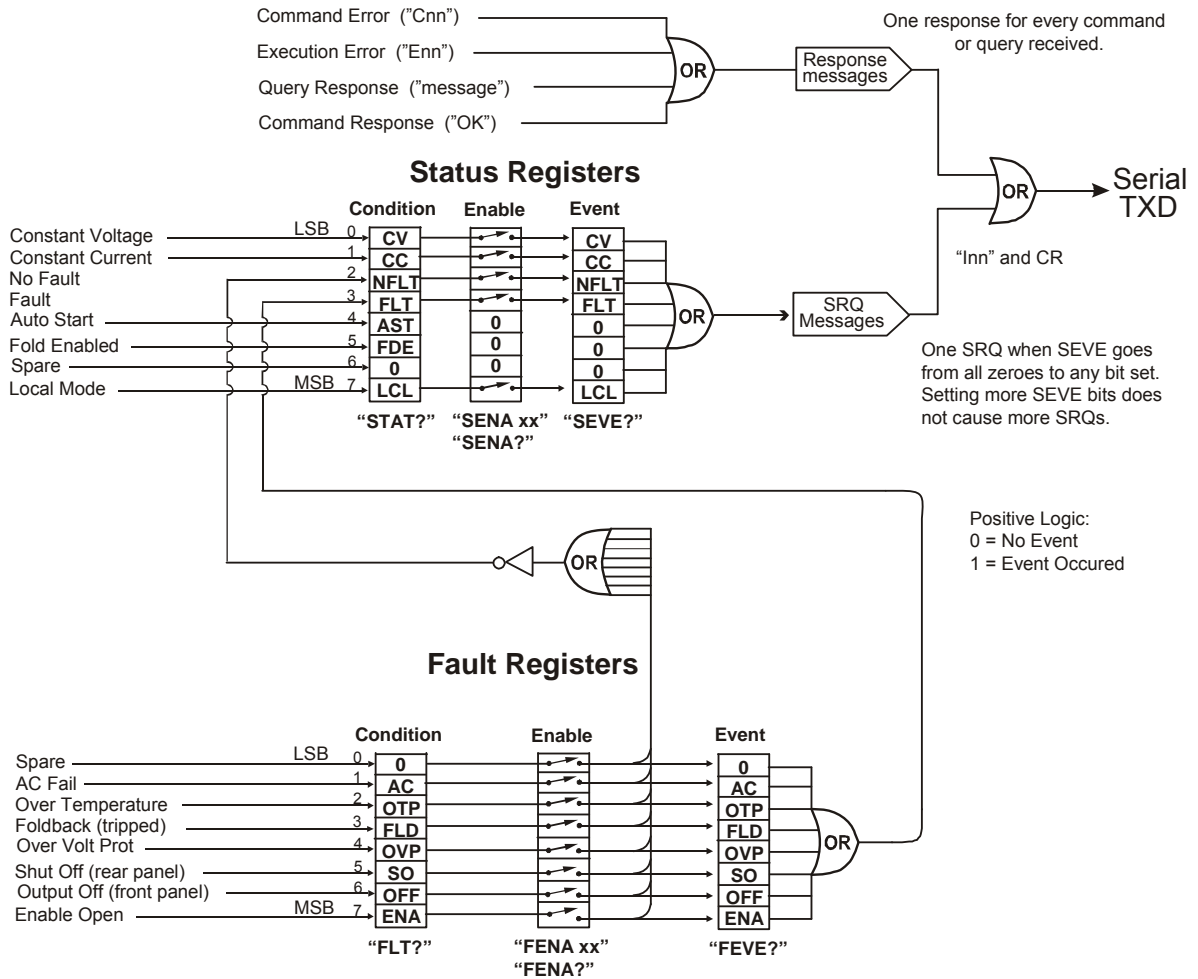


Fig.8-7: Status and Error Registers Diagram

Conditional Registers

The fault Condition Register and the Status Condition Register are read only registers that the user may read to see the condition of the supply. Refer to Table 8-8 for description of the Fault Condition Register bits and Table 8-9 for the Status Condition register bits.

Table 8-10: Fault Condition Register (FLT?)

BIT	Fault name	Fault symbol	Bit Set condition	Bit Reset condition
0 (LSB)	Spare bit	SPARE	Fixed to zero	Fixed to zero
1	AC Fail	AC	AC fail has occurred.	The AC input returns to normal.
2	Over temperature	OTP	OTP shutdown has occurred.	The power supply cools down.
3	Foldback	FOLD	Foldback shutdown has occurred	The supply output is turned On by front panel button or OUT 1 command.
4	Over voltage	OVP	OVP shutdown has occurred.	The supply output is turned ON by front panel button or OUT 1 command.
5	Shut Off	SO	Rear panel J1 "Shut Off" condition has occurred.	Rear panel J1 "Shut Off" condition removed.
6	Output Off	OFF	Front panel OUT button pressed to Off.	The supply output is turned On by front panel button or OUT 1 command.
7(MSB)	Enable	ENA	Rear panel J1 Enable terminal (J1-1&J1-14) opened.	Rear panel J1 Enable terminals closed.

Table 8-11: Status Condition Register (STAT?)

BIT	Fault name	Fault symbol	Bit Set condition	Bit Reset condition
0 (LSB)	Constant Voltage	CV	Output is On and the supply in CV.	Output is ON and the supply is not in CV.
1	Constant Current	CC	Output is ON and the supply in CC.	Output is ON and the supply is not in CC.
2	No Fault	NFLT	The power supply is operating normally or fault reporting is not enabled. See "OUT n" command in Section 8.7.5.	One or more faults are active and fault reporting is enabled (using "FENAx").
3	Fault active	FLT	One or more faults are enabled and occur.	Fault Event Register cleared (FEVE?).
4	Auto-Restart Enabled	AST	Supply is in Auto-Restart mode (from Front Panel or serial command).	Supply is in Safe-Start mode (from Front Panel or serial command).
5	Fold Enabled	FDE	Fold protection enabled (from Front Panel or serial command).	Fold protection disabled (from Front Panel or serial command).
6	Spare bit	SPARE	Fixed to zero.	Fixed to zero.
7(MSB)	Local Mode	LCL	Supply in Local mode.	Supply in Remote mode or Local-Lockout mode.

8.11.2. Service Request: Enable and Event Registers

The conditional Registers are continuously monitored. When a change is detected in a register bit, which is enabled, the power supply will generate an SRQ message.

The SRQ message is: "Inn" terminated by CR, where the nn is the power supply address. The SRQ will be generated either in Local or Remote mode.

Refer to Tables 8-10 to 8-13 for details of the Enable and Event registers.

A. Fault Enable Register (FENA nn, FENA?)

The Fault Enable Register is set to the enable faults SRQs.

Table 8-12: Fault Enable Register

BIT	Enable bit name	Fault symbol	Bit Set condition	Bit reset condition
0 (LSB)	Spare bit	SPARE	User command: "FENA nn" where nn is hexadecimal	User command: "FENA nn" where nn is hexadecimal (if nn="00", no fault SRQs will be generated).
1	AC Fail	AC		
2	Over Temperature	OTP		
3	Foldback	FOLD		
4	Over Voltage	OVP		
5	Shut Off	SO		
6	Output Off	OFF		
7(MSB)	Enable	ENA		

B. Fault Event Register (FEVE?)

The Fault Event will set a bit if a condition occurs and it is enabled. The register is cleared when FEVE?, CLS or RST commands are received.

Table 8-13: Fault Event Register

BIT	Enable bit name	Fault symbol	Bit Set condition	Bit reset condition
0 (LSB)	Spare bit	SPARE	Fault condition occurs and it is enabled. The fault can set a bit, but when the fault clears the bit remains set.	Entire Event Register is cleared when user sends "FEVE?" command to read the register. "CLS" and power-up also clear the Fault Event Register.
1	AC Fail	AC		
2	Over Temperature	OTP		
3	Foldback	FOLD		
4	Over Voltage	OVP		
5	Shut Off	SO		
6	Output Off	OFF		
7(MSB)	Enable	ENA		

C. Status Enable Register (SENA nn, SENA?)

The Status Enable Register is set by the user to enable SRQs from changes in power supply status.

Table 8-14: Status Enable Register

BIT	Status name	Status symbol	Bit Set condition	Bit reset condition
0 (LSB)	Constant Voltage	CV	User command: "SENA nn" is received, where nn is hexadecimal bits.	User command: "SENA nn" is received, where nn is hexadecimal bits. If "nn"=00, no SRQ is sent when there is a change in Status Condition Register.
1	Constant Current	CC		
2	No Fault	NFLT		
3	Fault active	FLT		
4	Auto-Restart enabled	AST	Always zero	Always zero
5	Fold enabled	FDE	Always zero	Always zero
6	Spare	Spare	Always zero	Always zero
7 (MSB)	Local Mode	LCL	"SENA nn" command	"SENA nn" command

D. Status Event Register (SEVE?)

The Status Event Register will set a bit if a change in the power supply status occurs and it is enabled. The register is cleared when the “SEVE?” or “CLS” commands are received. A change in this register will generate SRQ.

Table 8-15: Status Event Register (SEVE?)

BIT	Status name	Status symbol	Bit Set condition	Bit reset condition
0 (LSB)	Constant Voltage	CV	Changes in status occurs and it is enabled. The change can set a bit, but when the change clears the bit remains set.	Entire Event Register is cleared when user sends “SEVE?” command to read the register. “CLS” and power-up also clear the Status Event Register.
1	Constant Current	CC		
2	No Fault	NFLT		
3	Fault active	FLT		
4	Auto-Restart enabled	0	Always zero	
5	Fold enabled	0	Always zero	
6	Spare	0	Always zero	
7 (MSB)	Local Mode	LCL	Unit is set to Local	

8.12. Serial Communication Test Set-Up

Use the following instructions as basic set-up to test the serial communication operation.

8.12.1. Equipment: PC with Windows Hyper Terminal, software installed, Genesys™ Power supply, RS232 cable.

8.12.2. PC set-up:

- 2.1 Open Hyper Terminal.....New Connection
- 2.2 Enter a name
- 2.3 Connect to..... Direct to Com 1 or Com 2
- 2.4 Configure port properties:
 - Bits per second.....9600
 - Data bits.....8
 - Parity.....None
 - Stop bits.....1
 - Flow control.....None
 - File.....Properties
- 2.5 Open Properties in the program
- 2.6 Setting: ASCII Set Up
 - Select Echo characters locally, select send line ends with line feed.

8.12.3. Power Supply Set-Up:

Connect the power supply to the PC using the RS232 cable.

Set via the front panel: Baud Rate: 9600, Address: 06 (default).

Set via the rear panel: RS232/485 to RS232 (refer to Section 8.2.3).

8.12.4. Communication Test:

Select a power supply at address 6:
PC write: ADR 6
Power supply response: "OK"

Command test:
PC write: OUT 1
Power supply response: "OK"
PC write: PV 5.0
Power supply response: "OK"
PC write: PC 10.0
Power supply response: "OK"

The power supply should turn on and the display will indicate the actual output voltage and the actual output current.

9. ISOLATED ANALOG PROGRAMMING OPTION

9.1. Introduction

Isolated Analog Programming is an internal option card for analog programming of the Genesys™ power supply series. The option is factory installed and cannot be obtained with IEMD or LAN Interfaces. Output Voltage and Current Limit can be programmed and read back through optically isolated signals which are isolated from all other ground references in the power supply.

There are two types of Isolated Analog programming cards:

- a) 0-5V/0-10V option (PN: IS510): Using 0-5V or 0-10V signals for programming and readback.
- b) 4-20mA option (PN: IS420): Using current signals for programming and readback.

9.2. Specifications

9.2.1. 0-5V/0-10V Option (PN: IS510)

Programming Inputs	Output voltage programming accuracy	%	+/-1
	Output current programming accuracy	%	+/-1
	Output voltage programming temperature coefficient	PPM/°C	+/-100
	Output current programming temperature coefficient	PPM/°C	+/-100
	Input impedance	Ohm	1M
	Absolute maximum voltage	Vdc	0-15
	Max. voltage between program inputs and supply outputs	Vdc	600
Monitoring Outputs	Output voltage monitoring accuracy	%	+/-1.5
	Output current monitoring accuracy	%	+/-1.5
	Output Impedance (see Note)	Ohm	100
	Max. voltage between monitoring outputs and supply outputs	Vdc	600

NOTE:

Use 100Kohm minimum input impedance for the monitoring circuits to minimize the readback error.

9.2.2. 4-20mA Option (PN: IS420)

Programming Inputs	Output voltage programming accuracy	%	+/-1
	Output current programming accuracy	%	+/-1
	Output voltage programming temperature coefficient	PPM/°C	+/-100
	Output current programming temperature coefficient	PPM/°C	+/-100
	Input impedance	Ohm	1M
	Absolute maximum input current	Vdc	0-15
	Max. voltage between program inputs and supply outputs	Vdc	600
Monitoring Outputs	Output voltage monitoring accuracy	%	+/-1.5
	Output current monitoring accuracy	%	+/-1.5
	Maximum load impedance	Ohm	100
	Max. voltage between monitoring outputs and supply outputs	Vdc	600

9.3. Isolated Programming & Monitoring Connector

Refer to Table 9-1 for detailed description of the rear panel Isolated Programming & Monitoring connector. To provide the lowest noise performance, it is recommended to use shielded-twisted pair wiring.

Refer to Fig.9-1 for description of the connector.

Isolated programming plug P/N: MC1.5/8-ST-3.81, Phoenix.

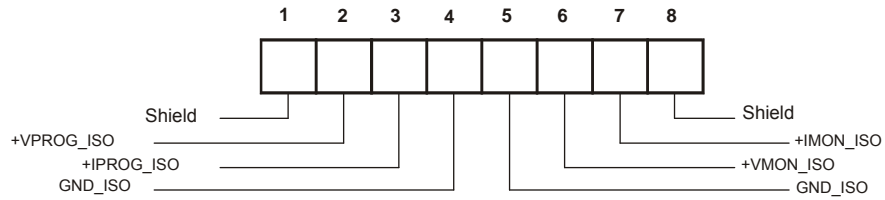


Fig. 9-1: Isolated Programming & Monitoring connector

Table 9-1: Detailed Description of Isolated Programming & Monitoring Connector

Terminal	Signal name	Function	Range 0-5/0-10V IS510 option	Range 4-20mA IS420 option
1	SHLD	Shield, connected internally to chassis of the supply.	Chassis ground	
2	+VPROG_ISO	Output voltage programming input	0-5/0-10V	4-20mA
3	+IPROG_ISO	Output current programming input	0-5/0-10V	4-20mA
4	GND_ISO	Ground for programming signals.	Ground	Ground
5	GND_ISO	Ground for programming signals.	Ground	Ground
6	+VMON_ISO	Output voltage monitoring output	0-5/0-10V	4-20mA
7	+IMON_ISO	Output current monitoring output	0-5/0-10V	4-20mA
8	SHLD	Shield, connected internally to chassis of the supply.	Chassis ground	

9.4. Setup and Operating Instructions

CAUTION

To prevent damage to the unit, do not program the output voltage and current to higher than the power supply rating.

9.4.1. Setting up the power supply for 0-5/0-10V Isolated Programming and Monitoring

Perform the following procedure to configure the power supply.

- a) Turn the power supply AC power switch to Off.
- b) Connect a short between J1-8 and J1-12 (refer to Table 4-4).
- c) Set the Setup switch SW1 positions 1 and 2 to their Up position.
- d) Set SW1 position 3 to select the programming voltage range: Down=0-5V, Up=0-10V.
- e) Set SW1 position 4 to select the monitoring range: Down=0-5V, Up=0-10V.
- f) Ensure that SW1 positions 7 and 8 are in their down position.
- g) Connect the programming sources to the mating plug of the Isolated Programming connector. Observe for correct polarity of the voltage source.

NOTE

J1-8 and J1-12 must be shorted together with a jumper.

- h) Set the programming sources to the desired levels and turn the power supply ON.

9.4.2. Setting up the power supply for 4-20mA Isolated Programming and Monitoring

Perform the following procedure to configure the power supply:

- a) Turn the power supply AC power switch to Off.
- b) Connect a short between J1-8 and J1-12 (refer to Table 4-4).
- c) Set the Setup switch SW1 positions 1 and 2 to their Up position.
- d) Set SW1 position 3 to its Up position.
- e) Set SW1 position 4 to its Up position.
- f) Ensure that SW1 positions 1 and 2 to their Up position.
- g) Connect the programming source to the mating plug of the Isolated Programming connector. Observe for correct polarity of the voltage source.

NOTE

J1-8 and J1-12 must be shorted together with a jumper.

- h) Set the programming sources to the desired levels and turn the power supply ON.

CAUTION

When the Isolated Analog Option is installed, do not apply any signals to the non-isolated VPGM and IPGM (J1-9 and J1-10) pins. All other J1 features may be used normally. Refer to Section 4.4 for a description of J1 features.

NOTE

SW1 position 3 and 4 must be in their Up position for operation with 4-20mA Isolated Programming and Monitoring.

10. MAINTENANCE

10.1. Introduction

This Chapter provides information about maintenance, calibration and troubleshooting.

10.2. Units Under Warranty

Units requiring repair during the warranty period should be returned to a TDK-Lambda Americas Inc. authorized service facility. Refer to the addresses listing on the back cover of this manual. Unauthorized repairs performed by other than the authorized service facilities will void the warranty.

10.3. Periodic Maintenance

No routine maintenance of the power supply is required except for periodic cleaning. To clean, disconnect the unit from the AC supply and allow 60 seconds for discharging internal voltage. The front panel and the metal surfaces should be cleaned using a damp cloth containing a mild solution of detergent and water. The solution should be applied onto a soft cloth, and not directly to the surface of the unit. Do not use aromatic hydrocarbons or chlorinated solvents for cleaning. Use low pressure compressed air to blow dust from the unit.

10.4. Adjustments and Calibration

No internal adjustment or calibration is required. There is NO REASON to open the power supply cover. This will void the warranty.

10.5. Parts Replacement and Repairs

As repairs are made only by the manufacturer or by authorized service facilities, no parts replacement information is provided in the manual. In case of failure, unusual or erratic operation of the unit, contact a TDK-Lambda Americas Inc. sales or service facility nearest you. Please refer to the TDK-Lambda Americas Inc. sales offices addresses listing on the back cover of this user manual.

10.6. Troubleshooting

If the power supply appears to be operating improperly, use the troubleshooting guide to determine whether the power supply, load or external control circuit are the cause.

Configure the power supply for basic front panel operation and perform the tests of Section 3.8 to determine if the problem is with the supply.

Table 10-1 provides the basic checks that can be performed to diagnose problems, and references to Sections of this manual for further information.

Table 10-1: Troubleshooting Guide

SYMPTOM	CHECK	ACTION	REF
No output. All displays and indicators are blank.	Is the AC power cord defective?	Check continuity, replace if necessary.	3.7
	Is the AC input voltage within range?	Check input AC voltage. Connect to appropriate voltage source.	3.6 3.7
Output is present momentarily but shuts off quickly. The display indicates "AC".	Does the AC source voltage sag when load is applied?	Check input AC voltage. Connect to appropriate voltage source.	3.6
Output is present momentarily but shuts off quickly. The display indicates "OUP".	Is the power supply configured to Remote sense?	Check if the positive or negative load wire is loose.	3.9.6 3.10.3
Output voltage will not adjust. Front panel CC LED is on.	Is the unit in constant current mode?	Check current limit setting and load current.	5.2.1 5.2.2
Output voltage will not adjust Front panel CV Led is on.	Check if output voltage is adjusted above OVP setting or below UVL setting.	Set OVP or UVL so they will not limit the output.	5.3 5.4
Output current will not adjust. Front panel CV LED is on.	Is the unit in constant voltage mode?	Check current limit and voltage setting	5.2
Large ripple present in output.	Is the power supply in remote sense? Is the voltage drop on the load wire high?	Check load and sense wires connection for noise and impedance effects. Minimize the drop on the load wires.	3.9.4 3.10.3
No output. Display indicates "OUP"	Over Voltage Protection circuit is tripped.	Turn off the AC power switch. Check load connections. If analog programming is used, check if the OVP is set lower than the output.	5.3
No output. Front panel ALARM LED is blinking.	Display indicates "ENA"	Check rear panel J1 ENABLE connection. Setup switch SW1 setting.	5.8 5.8
	Display indicates "SO"	Check rear panel J1 Output Shut-Off connection.	5.7
	Display indicates "OTP"	Check if air intake or exhaust are blocked. Check if the unit is installed adjacent to heat generating equipment.	
	Display indicates "Fb"	Check Foldback setting and load current.	5.5
Poor Load regulation. Front panel CV LED is on.	Are sensing wires connected properly?	Connect the sense wires according to User's Manual instructions.	3.10.3
The front panel controls are nonfunctional.	Is the power supply in Local-Lockout mode?	Turn Off the AC power and wait until the display turns off. Turn on the AC power and press front panel REM/LOC button.	8.2.5