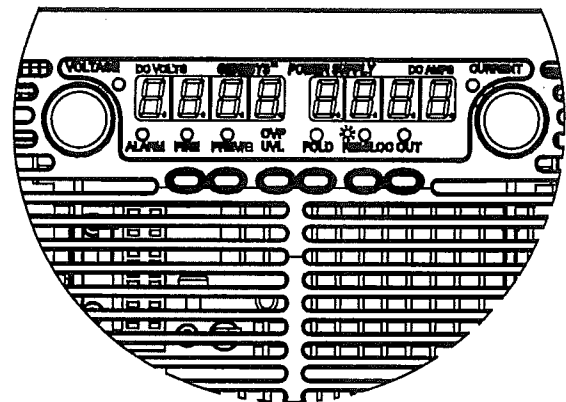
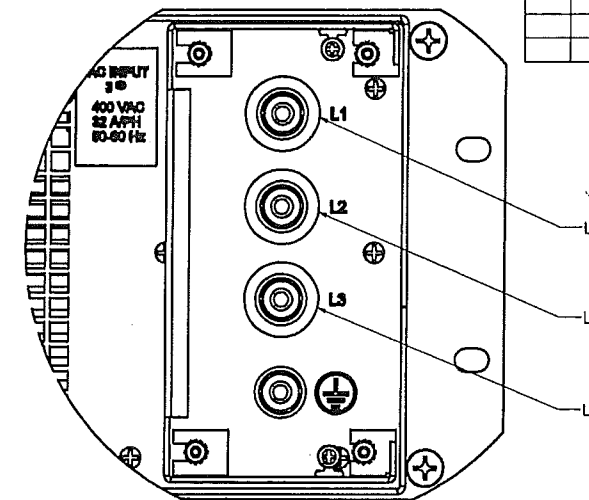


THIS IS A COMPUTER GENERATED DWG.
NO MANUAL REVISIONS ARE PERMITTED.

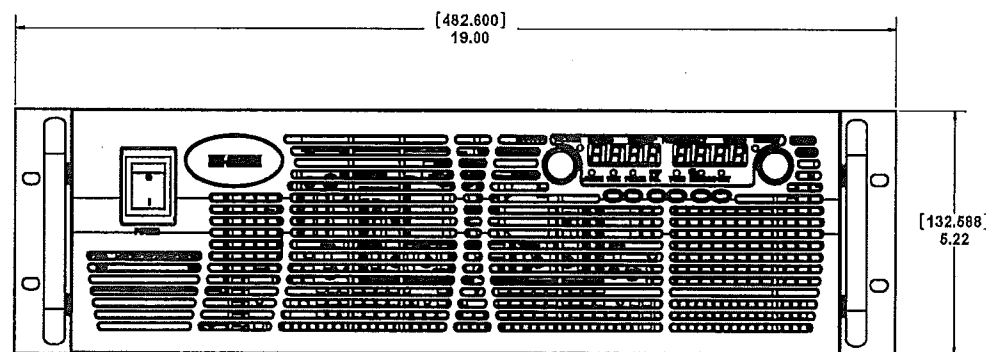
LTR	E.C.O. NO.	BY	APP.



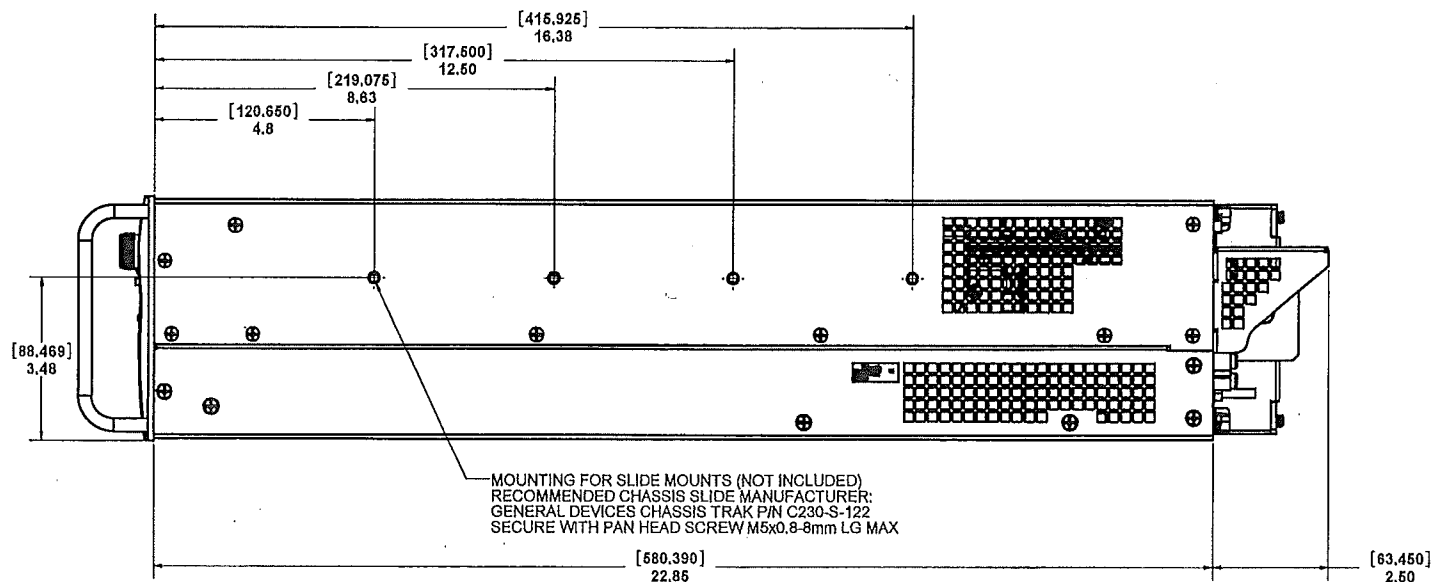
DETAIL B
DISPLAY / CONTROLS



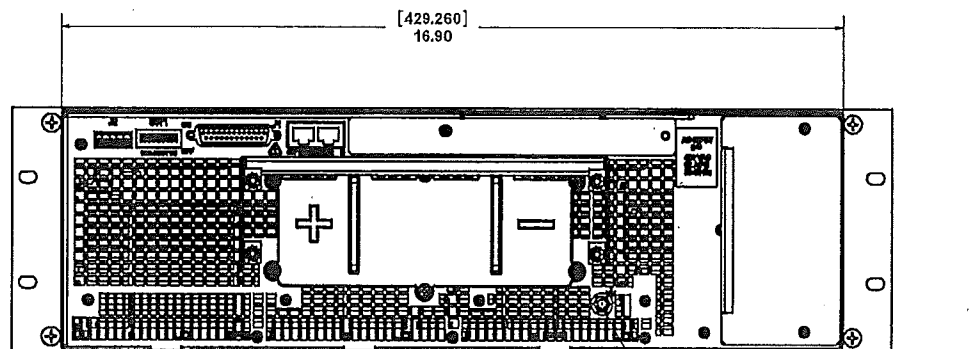
DETAIL C
AC INPUT TERMINALS
WITH COVER REMOVED FOR CLARITY



FRONT VIEW



SIDE VIEW



REAR VIEW

DIMENSIONS IN BRACKETS []
ARE METRIC EQUIVALENT IN
MILLIMETERS.

SOLIDWORKS DRAWING.
THIS IS A STANDARD FORMAT.
NOT ALL BOXES APPLY TO EVERY
DRAWING AND MAY NOT BE FILLED IN.

Drawing file name: 02532020 GEN 3U PLATFORM A OUTLINE
Model File name: 00TOP_005323027-3029

RoHS COMPLIANCE REQUIRED

NOTES:

- DENOTES ITEMS ON KIT UNIVERSAL PARTS.
- △ DENOTES VARIABLE PARTS REFERENCED ON MAGNETICS KIT.
- ⬡ DENOTES TORQUE IN INCH-LBS.
- USE PROPER AMOUNT OF ITEMS AS CALLED OUT FOR ON BOM.

MFL:	TOL:	REL. TO MFG.	ENG. CTL.	TDK-Lambda
	X = ±.02" [0.508] XX = ±.01" [0.254] XXX = ±.005" [0.127] FRAC. = ± 1/64" [0.381] ANGLES = ± 1/2°	PRJ. ENO. DATE:	CHK: DATE:	
FIL:	PIL:	DOC. REL. DATE:	ENG: DATE:	OUTLINE, GEN 3U PLATFORM A
	SCALE: 1:1	PLAT PLAN REL. DATE:	APP: DATE:	DWG. NO. 02-532-020 REV. A